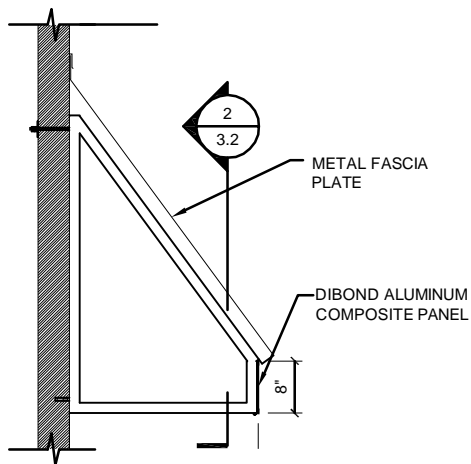


1
1.1 FRONT ELEVATION
Scale: 1/2"=1'-0"

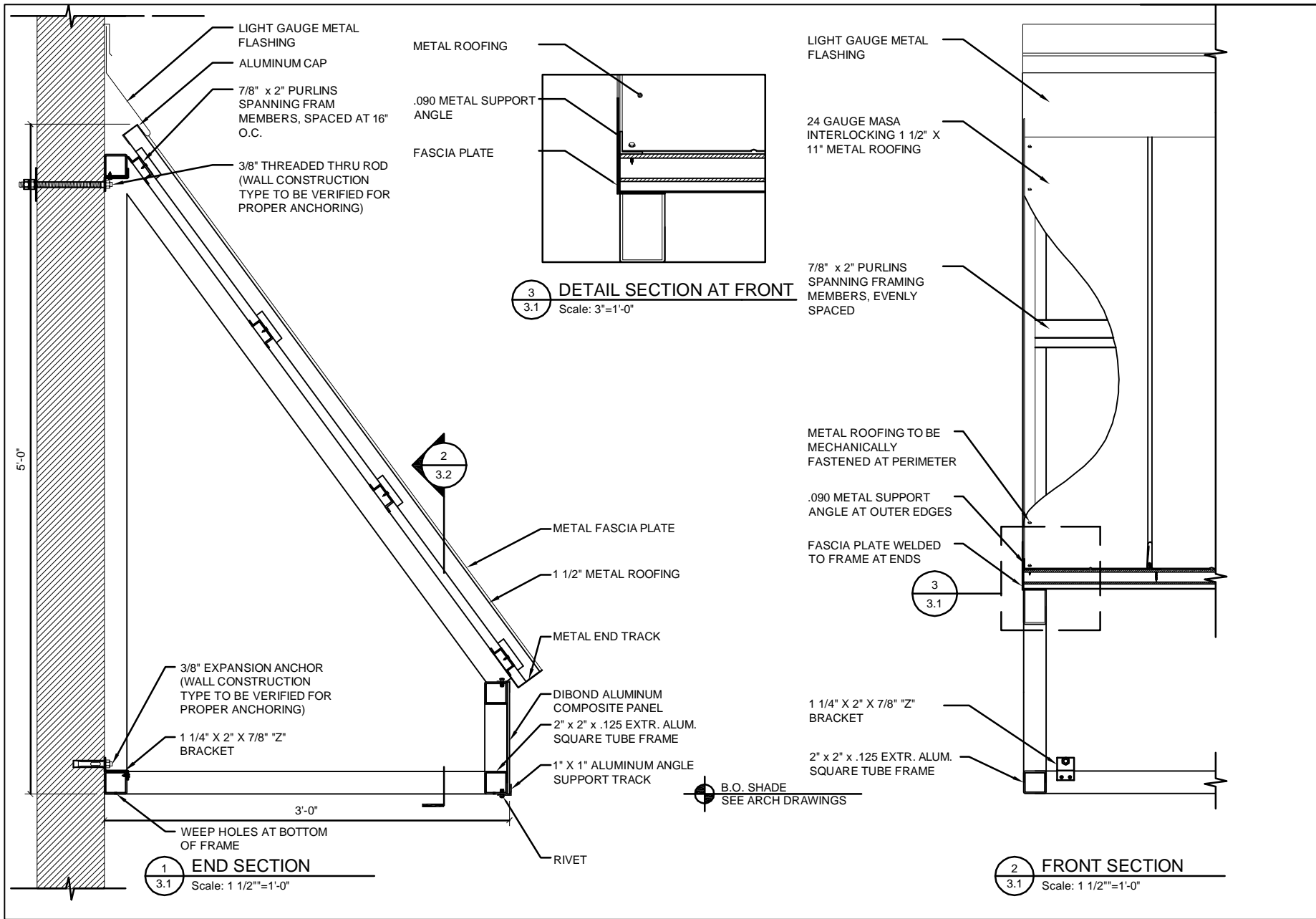


2
1.1 LEFT ELEVATION
Scale: 1/2"=1'-0"



Drawn by:	Issued:	Job:

project: Alumiframe Awning System
ELEVATIONS



MASA
 Architectural Canopies
 21 Randolph Avenue
 Avenel, New Jersey 07001
 www.masagn.com
 P. (732)-453-6120

project: Alumiframe Awning System

DETAIL SECTIONS

3.1