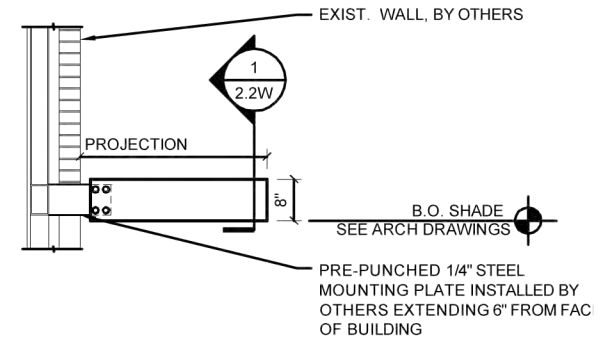
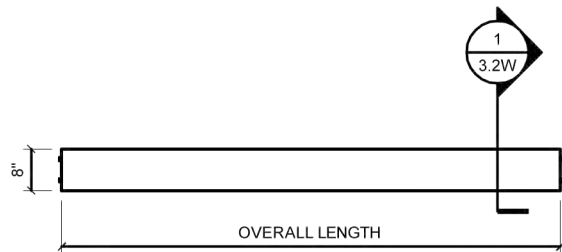


1 CANOPY PLAN
Scale: 1/2"=1'-0"



2 SIDE ELEVATION
Scale: 1/2"=1'-0"

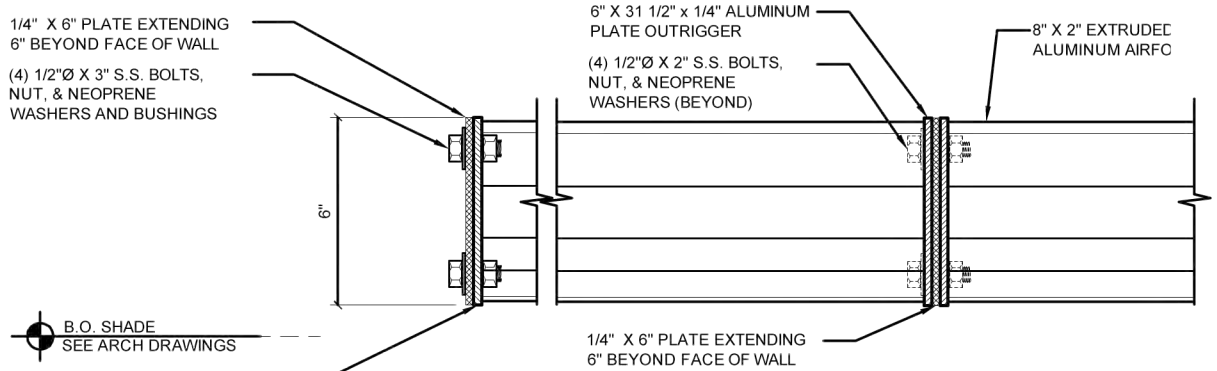


3 FRONT ELEVATION
Scale: 1/2"=1'-0"




DATE	ISSUE	BY	CHKD

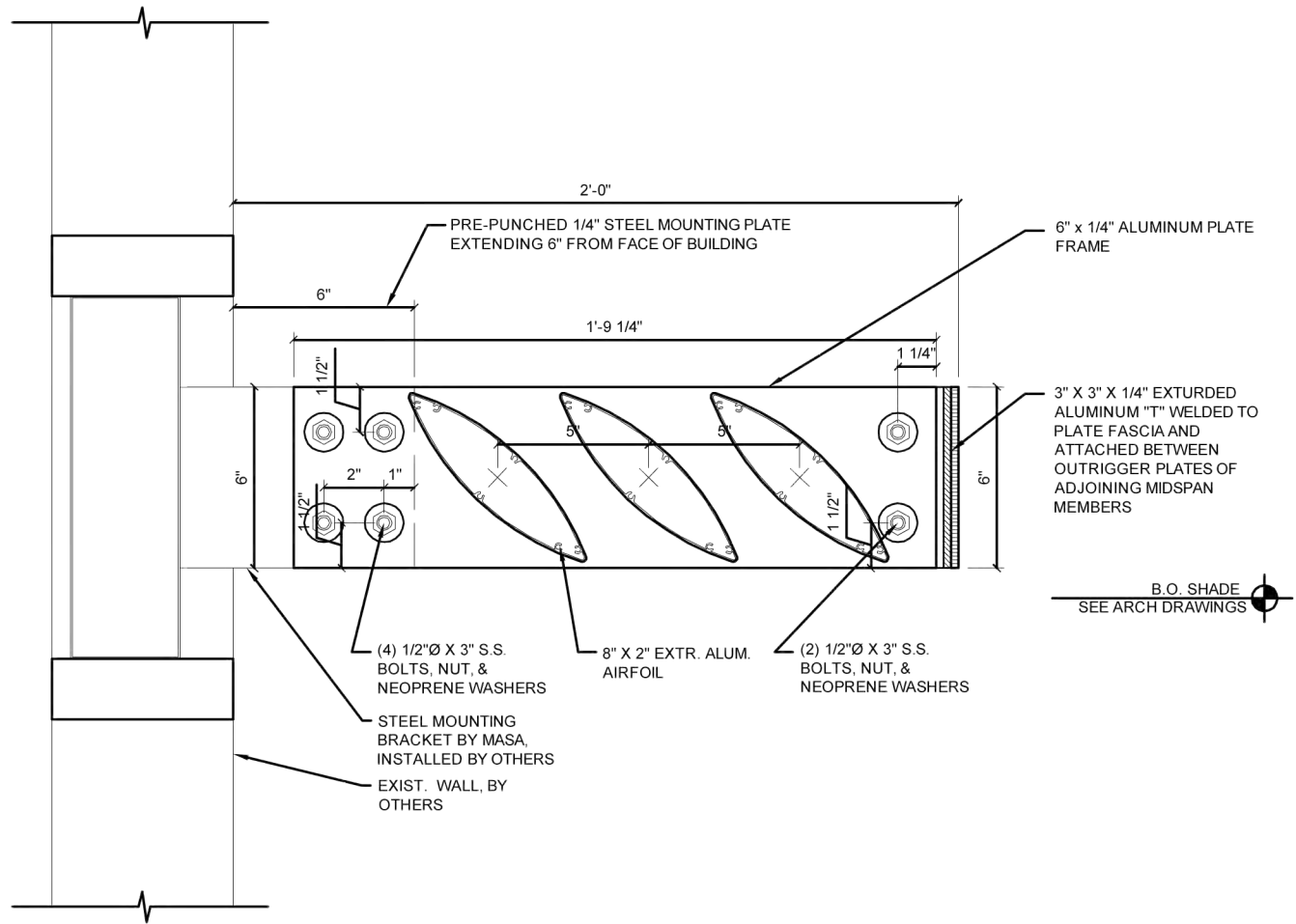
project: EcoShade Aluminum Sunshade
SUNSHADE PLAN & ELEVATIONS



1 SECTION DETAIL
2.2 Scale: 3"=1'-0"

2 MIDSPAN PLATE CONNECTION
2.2 Scale: 3"=1'-0"

	
MASA Architectural Canopies 21 Randolph Avenue Avenel, New Jersey 07001 www.masainc.com P: (732) 463-6120	
Project: EcoShade Aluminum Sunshade	CANOPY SECTION
<div style="border: 1px solid black; padding: 5px; width: fit-content; margin: 0 auto;"> 2.2 </div>	



1
3.2
DETAIL SECTION AT MID SPAN
Scale: 3"=1'-0"

MASA
Architectural Canopies
21 Randolph Avenue
Avenel, New Jersey 07001
www.masainc.com
p. (732) 463-6120

Drawn by	Issue date	Job #

project: EcoShade Aluminum Sunshade

DETAIL SECTION

3.2