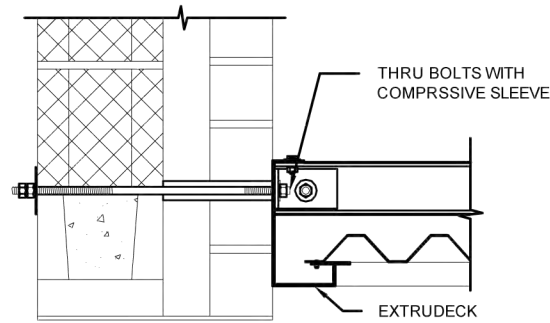
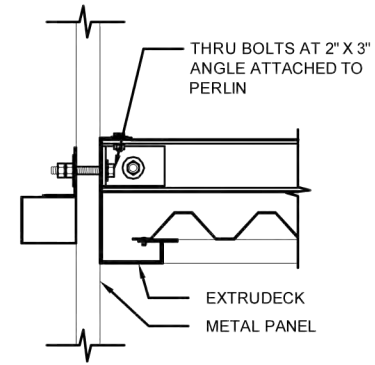


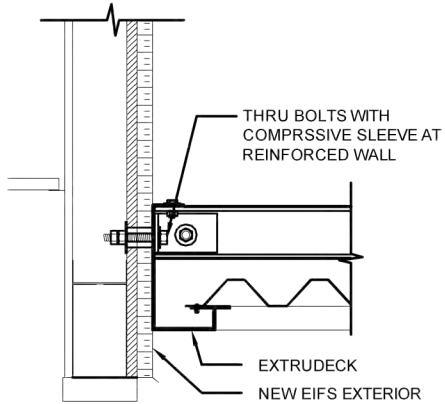
1 TYP. CMU ANCHOR
4.3W Scale: 1 1/2"=1'-0"



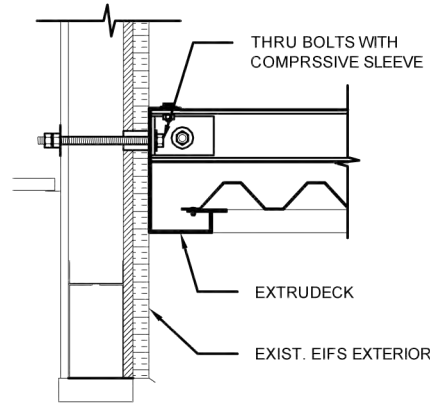
2 TYP. CMU/ BRICK THRU BOLT
4.3W Scale: 1 1/2"=1'-0"



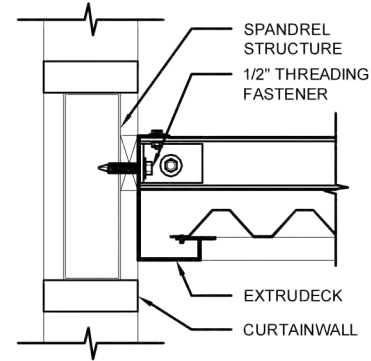
5 TYP. PRE-ENGINEERED METAL BUILDING
4.3W Scale: 1 1/2"=1'-0"



3 TYP. EXIST. EIFS WALL
4.3W Scale: 1 1/2"=1'-0"



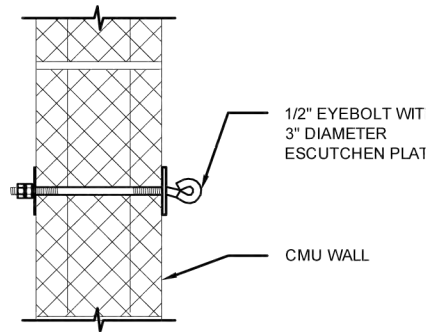
4 TYP. NEW EIFS WALL
4.3W Scale: 1 1/2"=1'-0"



5 TYP. CURTAINWALL
4.3W Scale: 1 1/2"=1'-0"

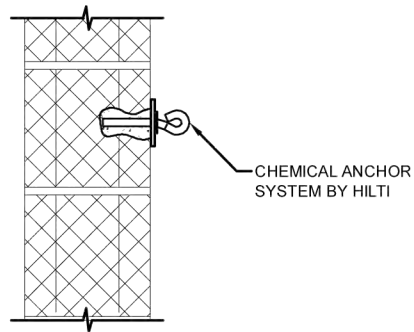
Drawn by:	Issue date:	Rev #	Date	Rev #	Date

project: Extrudeck Aluminum Canopy
DECK CONNECTION DETAILS



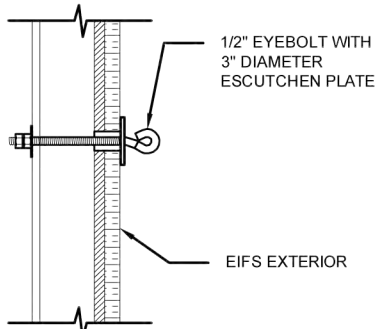
1 TYP. CMU WALL

4.4W Scale: 1 1/2"=1'-0"



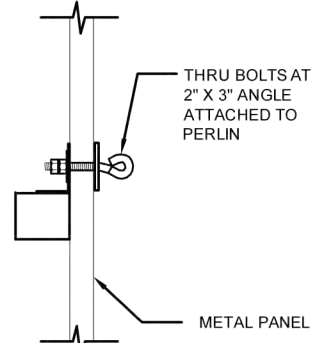
2 ALT. CMU WALL

4.4W Scale: 1 1/2"=1'-0"



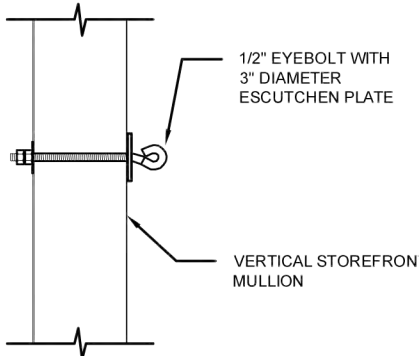
3 TYP. EIFS WALL

4.4W Scale: 1 1/2"=1'-0"



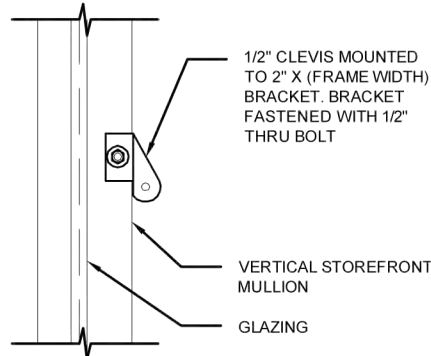
4 TYP. METAL BUILDING

4.4W Scale: 1 1/2"=1'-0"



5 TYP. CURTAINWALL

4.4W Scale: 1 1/2"=1'-0"



6 ALT. CURTAINWALL

4.4W Scale: 1 1/2"=1'-0"



Drawn by	Issue date	Rev #	Date

project: Extrudeck or Ecoshade Hanger
HANGER CONNECTIONS