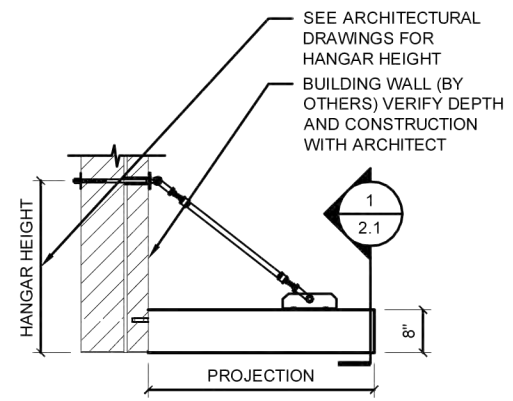
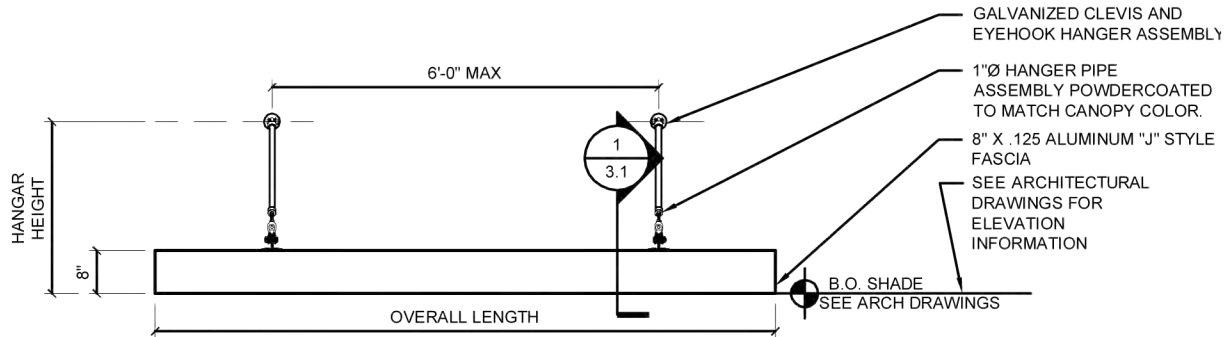


1 CANOPY PLAN
1.1 Scale: 1/2"=1'-0"



2 END ELEVATION
1.1 Scale: 1/2"=1'-0"



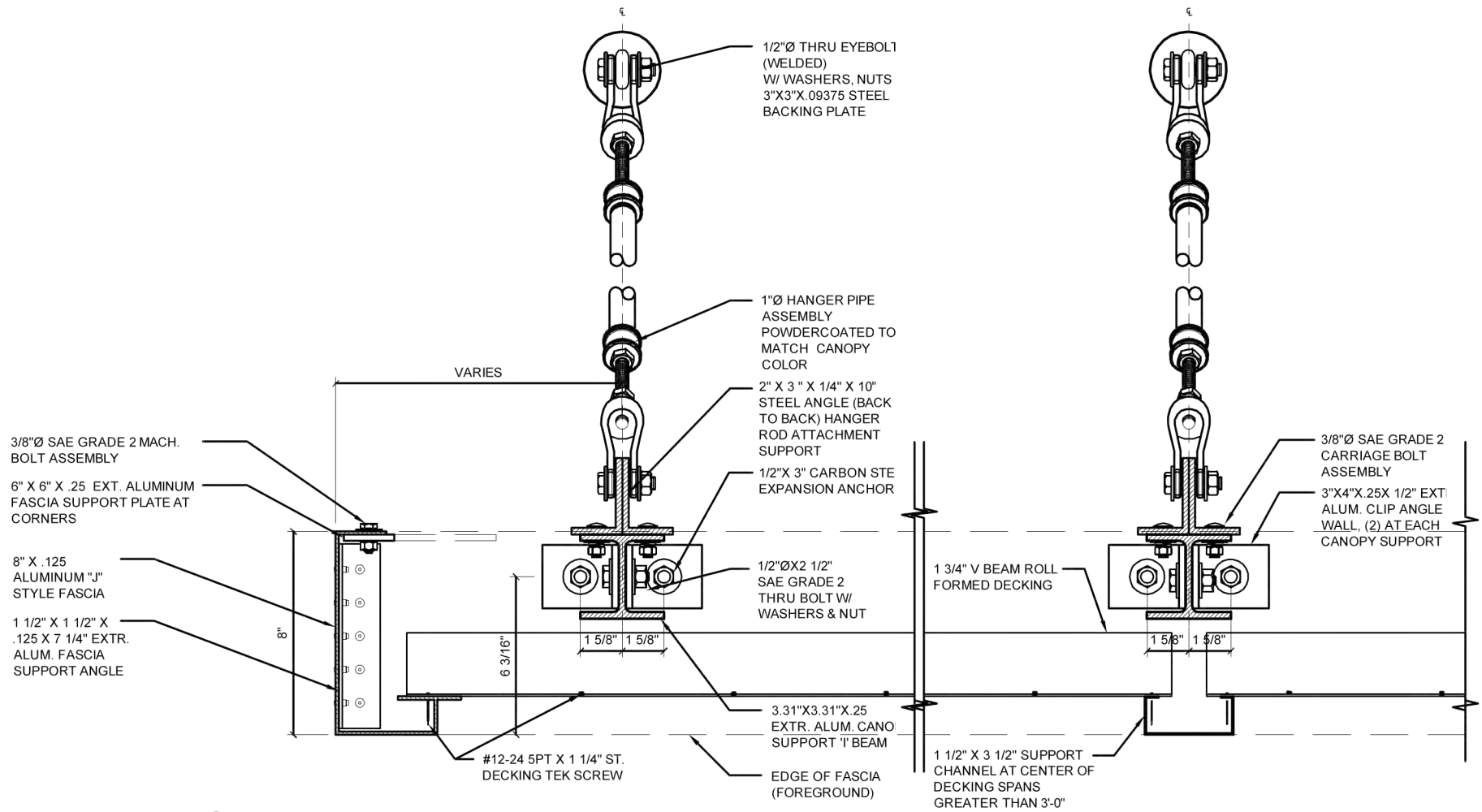
3 FRONT ELEVATION
1.1 Scale: 1/2"=1'-0"

MASA
Architectural Canopies
21 Randolph Avenue
Avenel, New Jersey 07001
www.masainc.com


Drawn by	Issue date	Rev #	Date

project: Extrudeck Hanger Supported

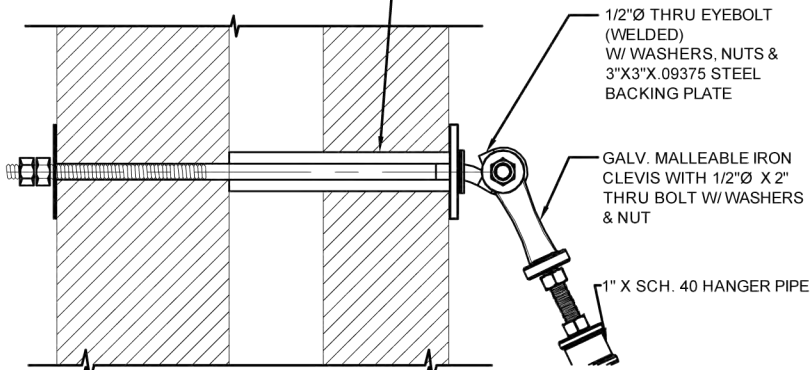
1.1W



1
2.1W
DETAIL SECTION
Scale: 3"=1'-0"

			
MASA Architectural Canopies 21 Randolph Avenue Avonair, New Jersey 07001 www.masainc.com P. (732)-463-6120			
Drawn by	Issue date	Date	Scale
FRONT SECTION			
2.1W			

THROUGH VENEER WALL. (VERIFY DEPTH AND CONSTRUCTION WITH ARCHITECT)



1/2"Ø THRU EYEBOLT (WELDED) W/ WASHERS, NUTS & 3"X3"X.09375 STEEL BACKING PLATE

GALV. MALLEABLE IRON CLEVIS WITH 1/2"Ø X 2" THRU BOLT W/ WASHERS & NUT

1" X SCH. 40 HANGER PIPE

OTHERS) CUSTOMER TO VERIFY TYPE AND DEPTH

FLASHING AND/OR SEALANT, CONT. BY OTHERS

3"X4"X.25X2 1/2" EXTR. ALUM. CLIP ANGLE @ WALL (2)

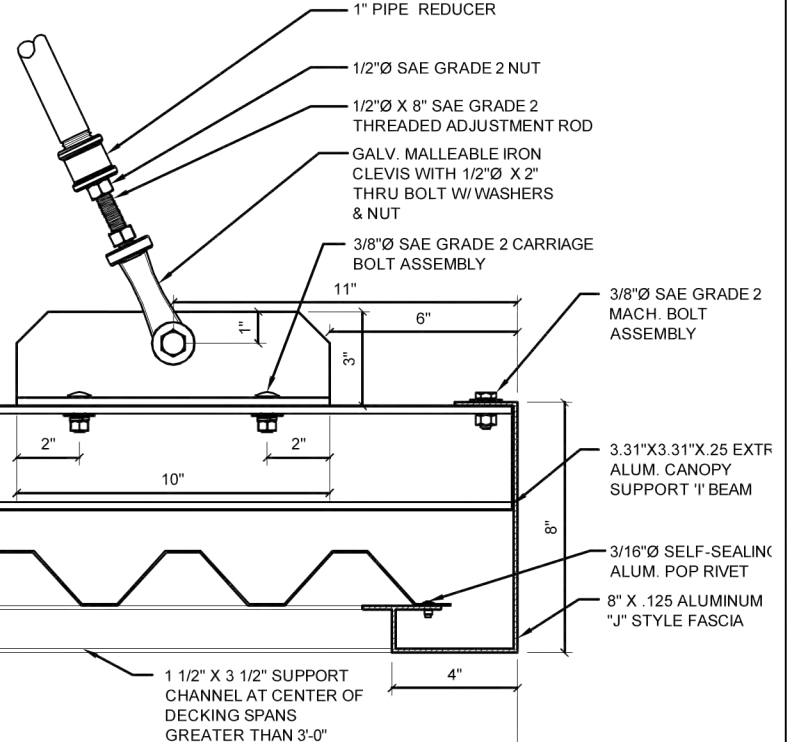
3/8"Ø SAE GRADE 2 MACH. BOLT ASSEMBLY

1/2"X 3" CARBON STEEL EXPANSION ANCHOR

1/2"ØX2 1/2" SAE GRAD 2 THRU BOLT W/ WASHERS & NUT

FINISHED BUILDING OPENING (BY OTHERS)

1 DETAIL SECTION
3.1W Scale: 3"=1'-0"



1" PIPE REDUCER

1/2"Ø SAE GRADE 2 NUT

1/2"Ø X 8" SAE GRADE 2 THREADED ADJUSTMENT ROD

GALV. MALLEABLE IRON CLEVIS WITH 1/2"Ø X 2" THRU BOLT W/ WASHERS & NUT

3/8"Ø SAE GRADE 2 CARRIAGE BOLT ASSEMBLY

11"

6"

3"

10"

2"

2"

6 3/16"

4"

8"

1 1/2" X 3 1/2" SUPPORT CHANNEL AT CENTER OF DECKING SPANS GREATER THAN 3'-0"

3/8"Ø SAE GRADE 2 MACH. BOLT ASSEMBLY

3.31"X3.31"X.25 EXTR. ALUM. CANOPY SUPPORT 'I' BEAM

3/16"Ø SELF-SEALING ALUM. POP RIVET

8" X .125 ALUMINUM "J" STYLE FASCIA

3'-0" PROJECTION



DATE	ISSUE	BY	CHKD

project: Extrudeck Hanger Supported
SIDE SECTION

3.1W