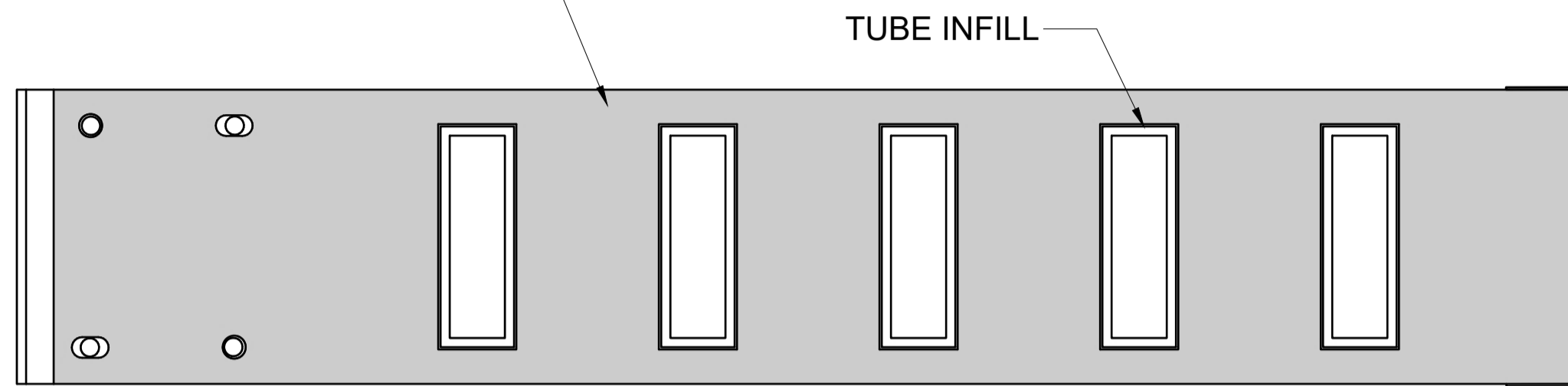


# MASA COMMON ECOSHADE INFILLS WITH CROWNS & PROFILES

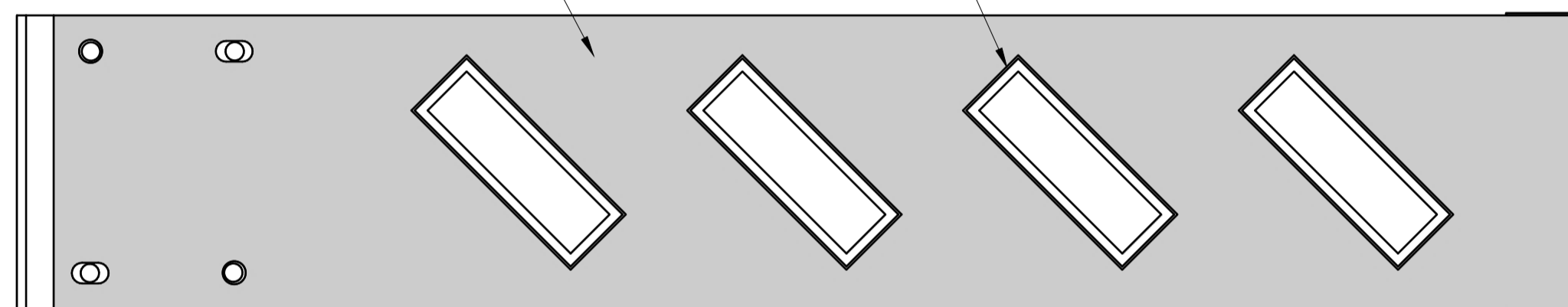
(8" OUTRIGGER SHOWN)  
AVAILABLE 6" - 12"  
THICKNESS CAN VARY



SIDE SECTION-CUT VIEW

**(6" TUBE INFILL SHOWN) AVAILABLE 4" - 12"**

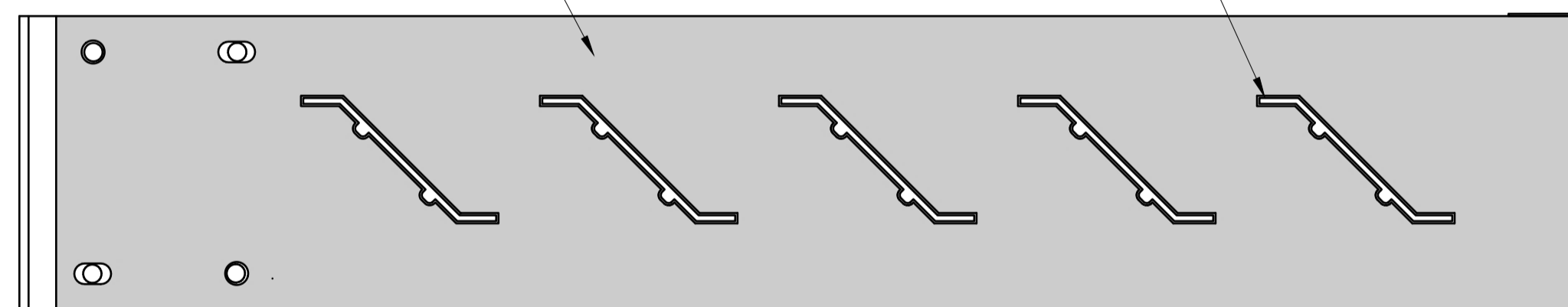
(8" OUTRIGGER SHOWN)  
AVAILABLE 6" - 12"  
THICKNESS CAN VARY



SIDE SECTION-CUT VIEW

**(6" TUBE INFILL SHOWN) AVAILABLE 4" - 12"**

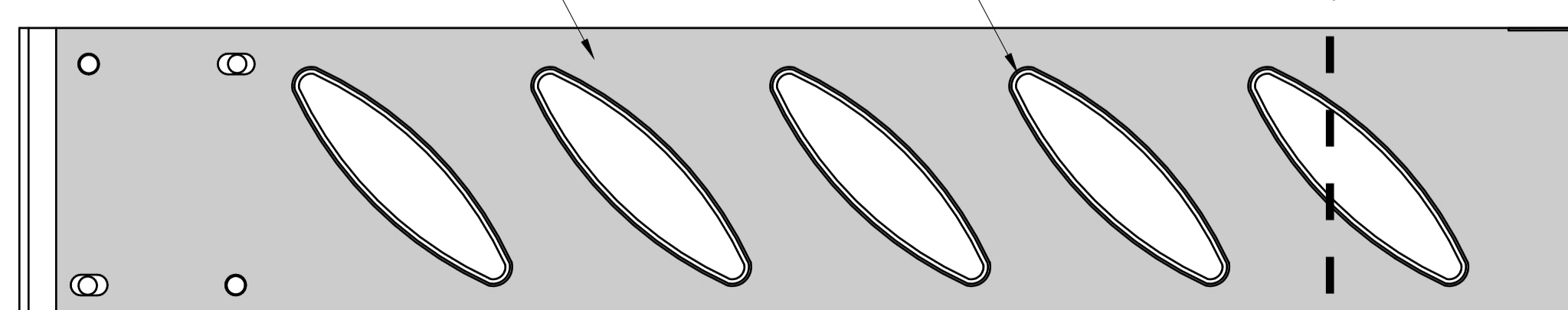
(8" OUTRIGGER SHOWN)  
AVAILABLE 6" - 12"  
THICKNESS CAN VARY



SIDE SECTION-CUT VIEW

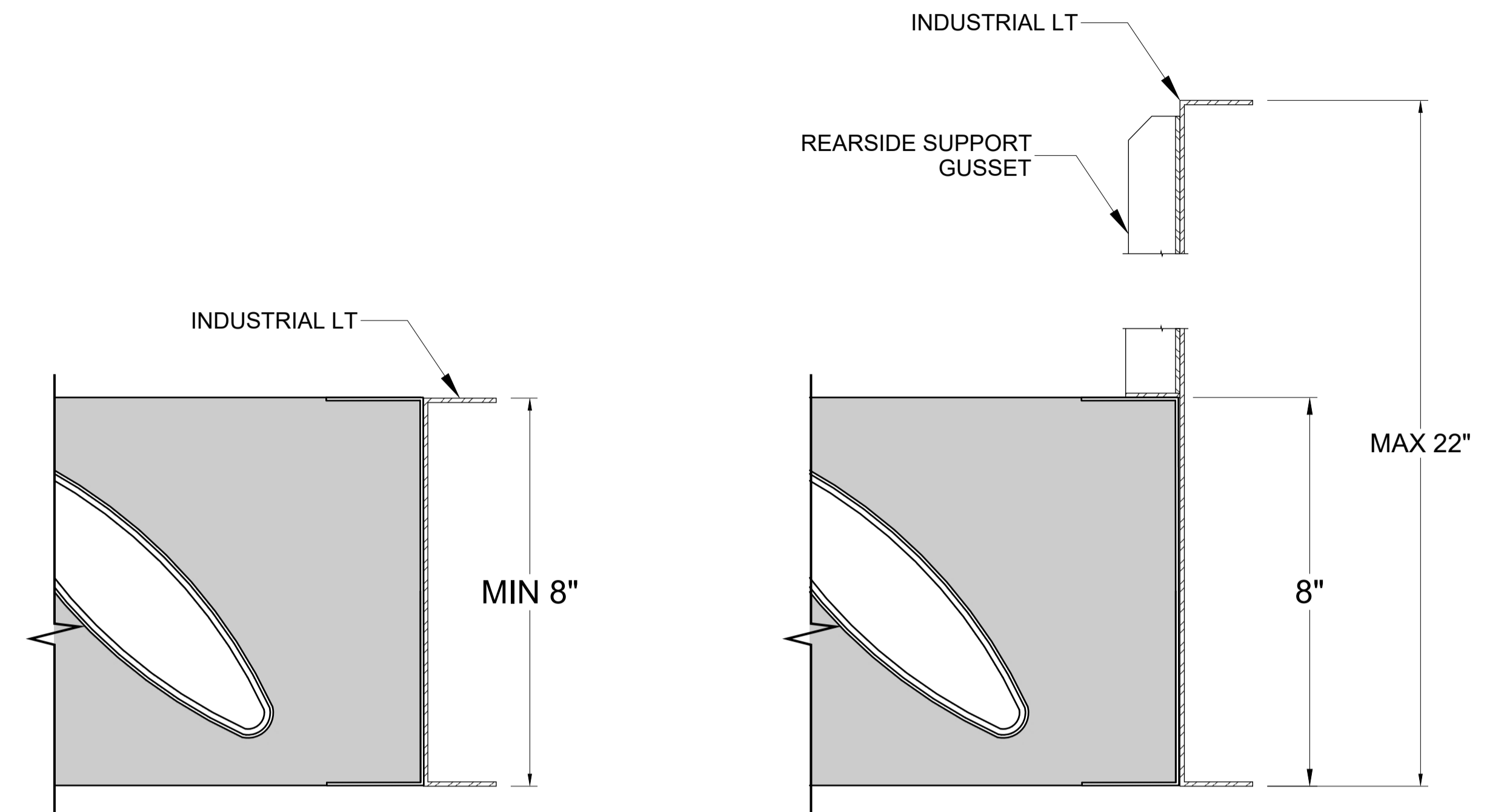
**(6" Z-BLADE INFILL SHOWN) AVAILABLE 6"**

(8" OUTRIGGER SHOWN)  
AVAILABLE 6" - 12"  
THICKNESS CAN VARY



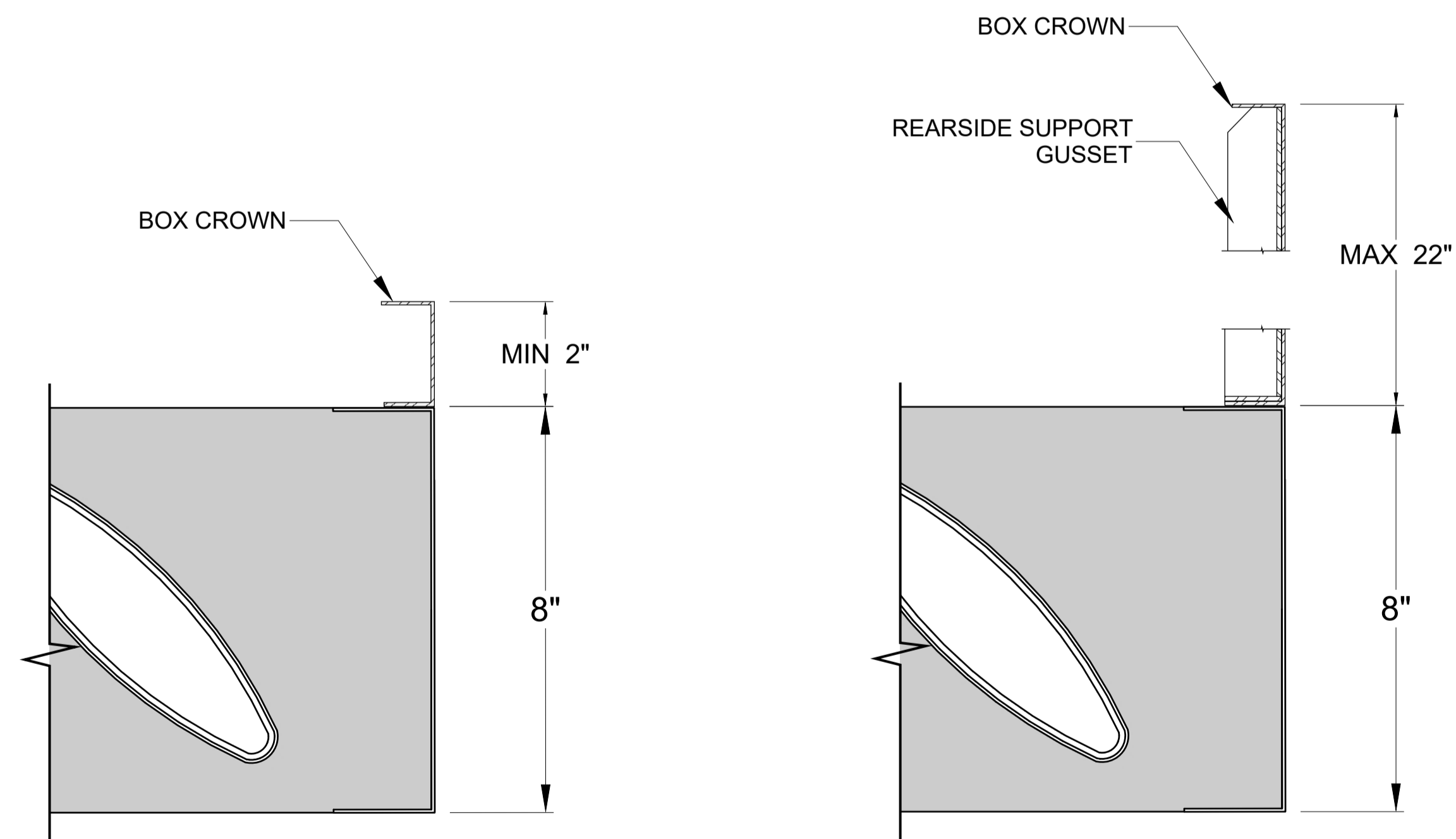
SIDE SECTION-CUT VIEW

**(8" AIRFOIL INFILL SHOWN) AVAILABLE 6" - 12"**



**INDUSTRIAL LT - (MIN)**

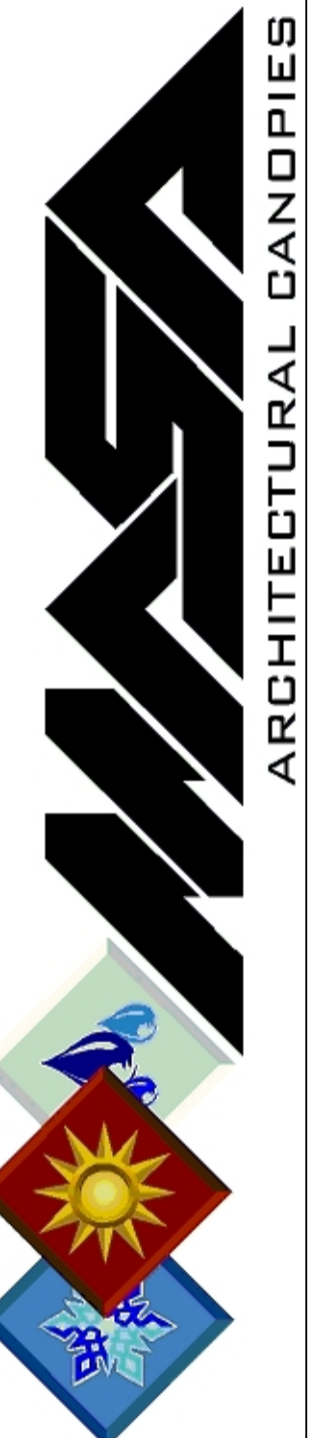
**INDUSTRIAL LT - (MAX)**



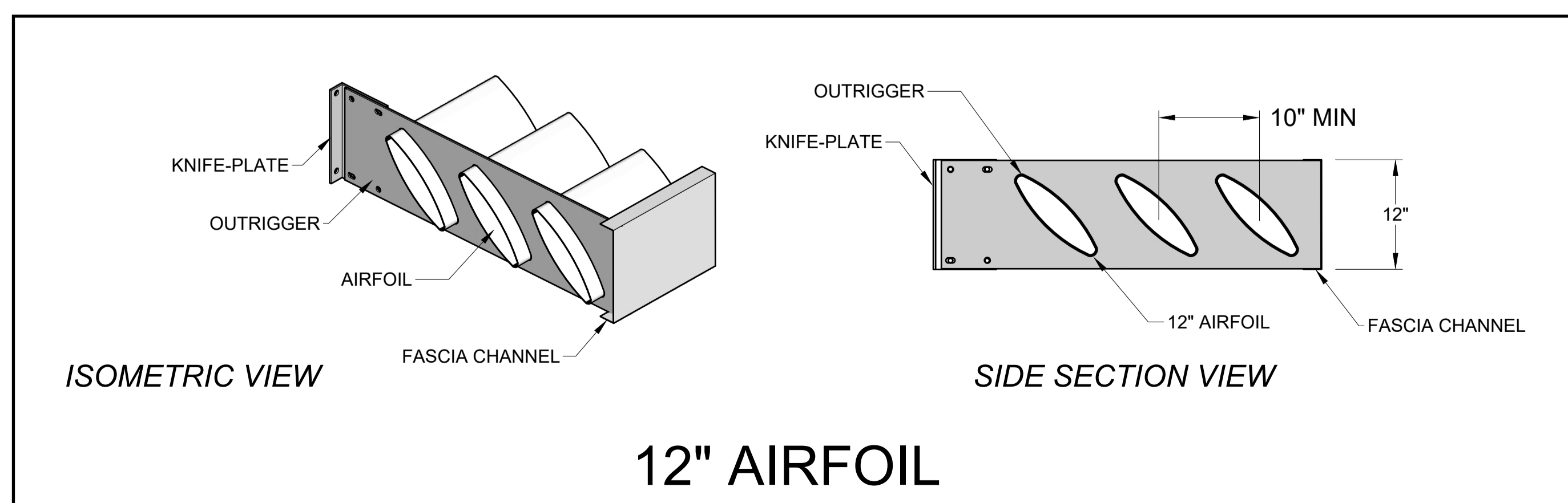
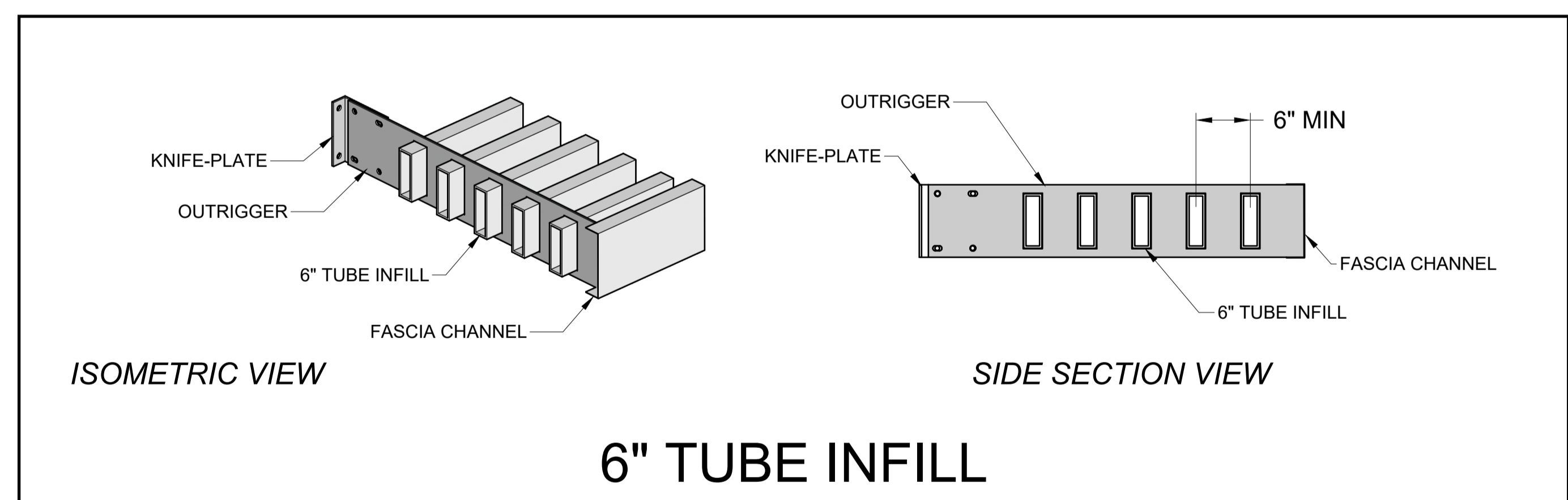
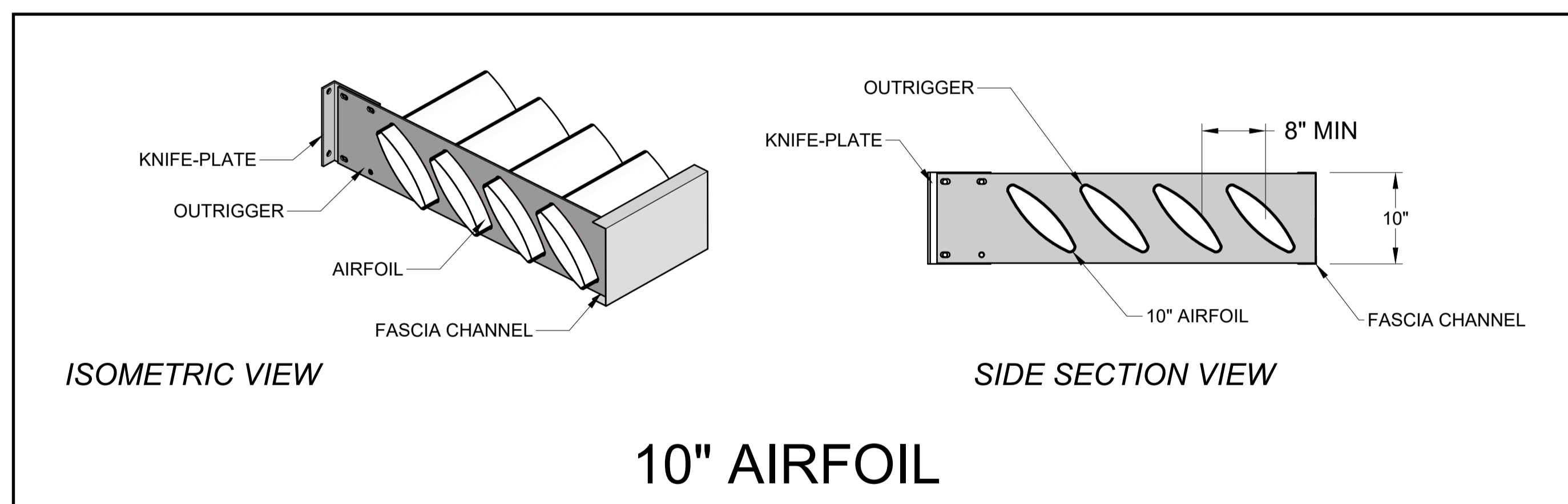
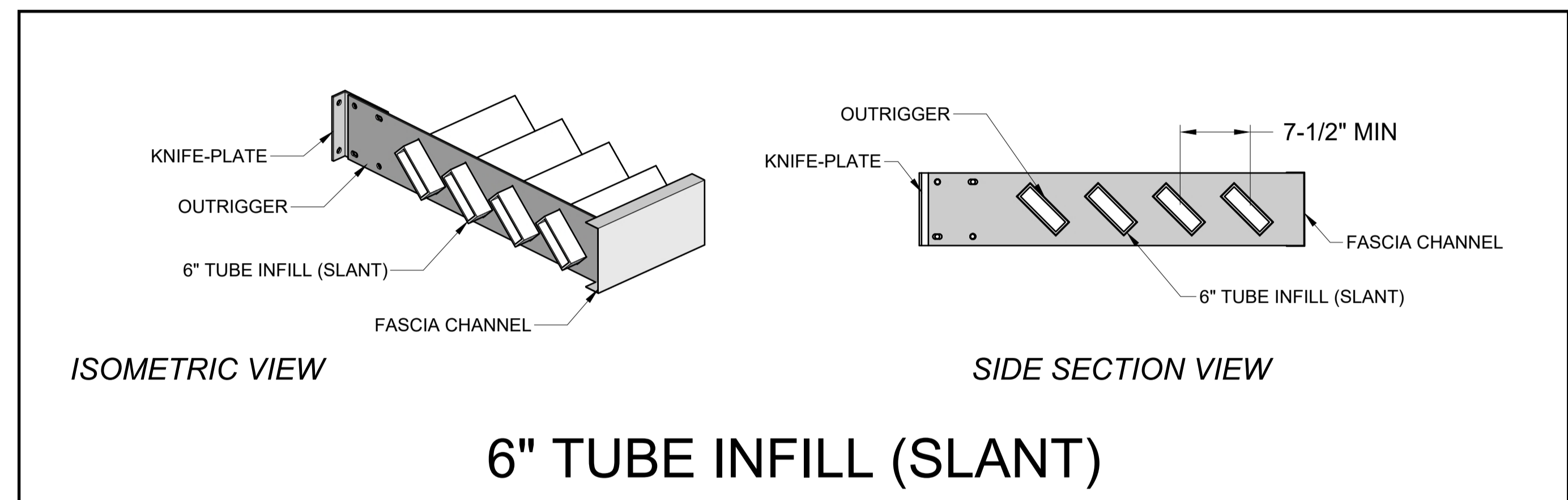
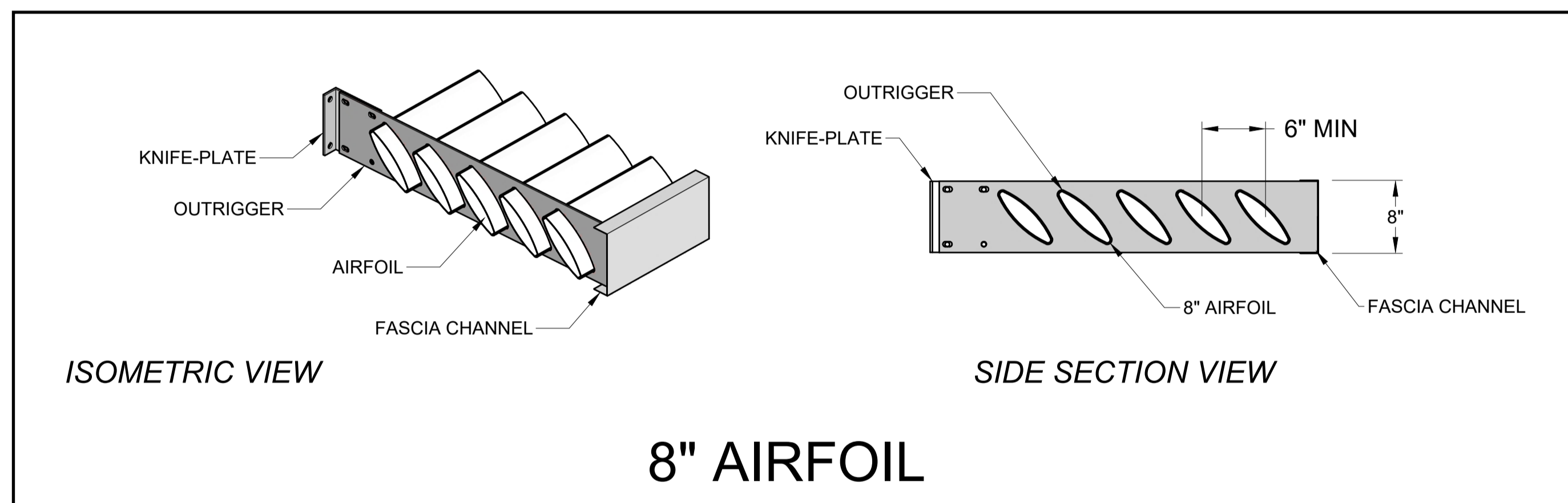
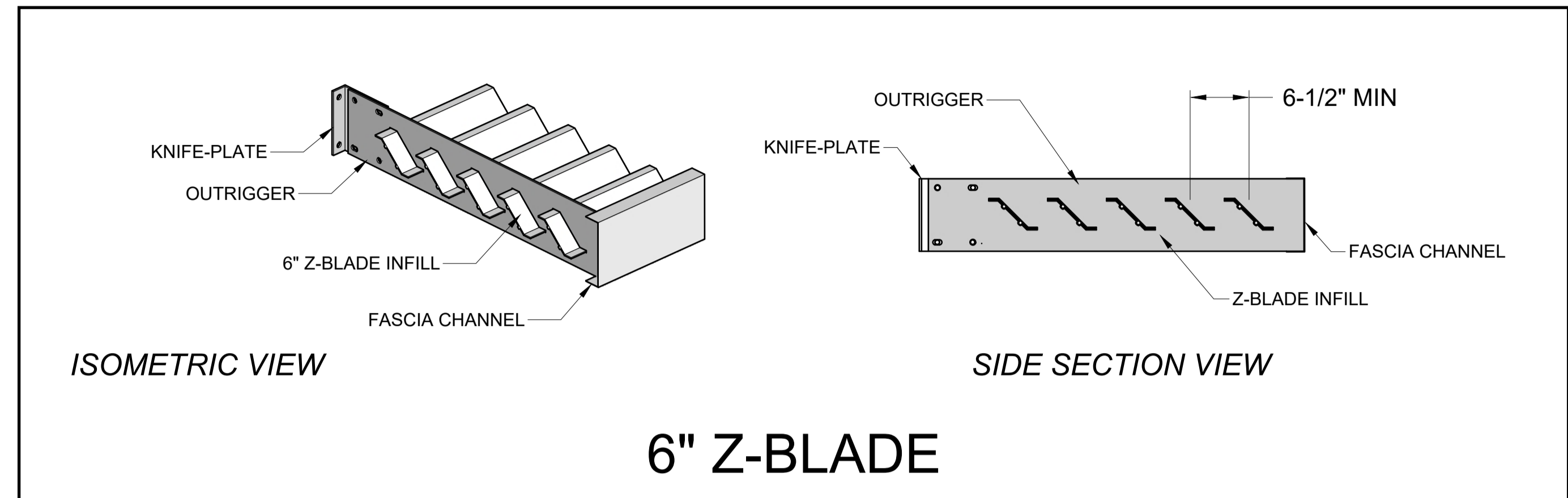
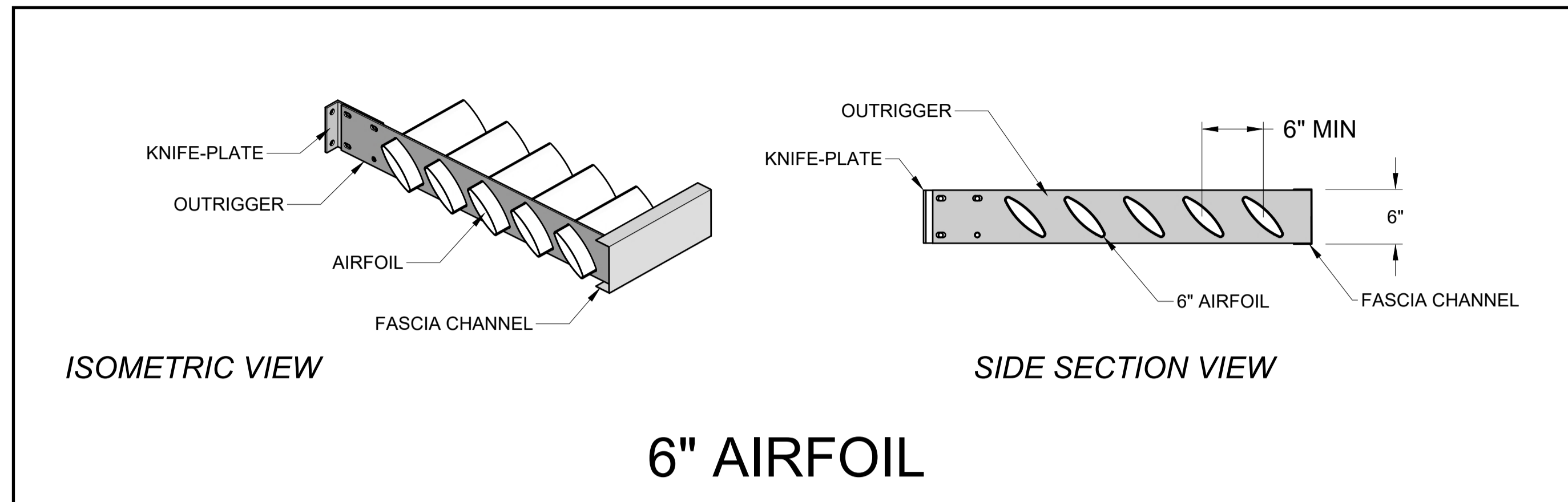
**BOX CROWN DESIGN (MIN)**

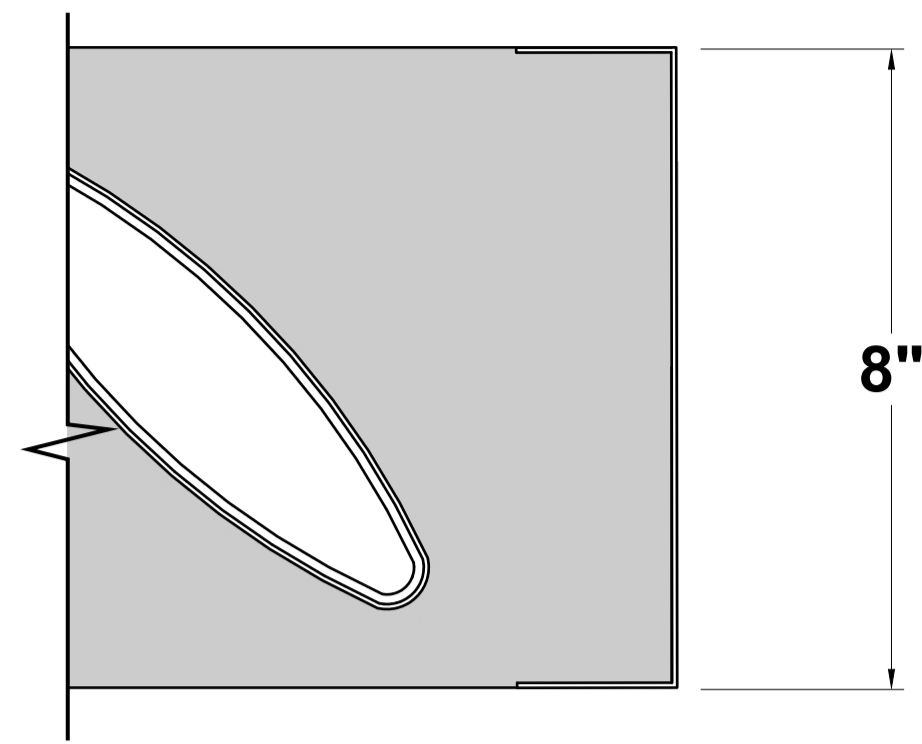
**BOX CROWN DESIGN (MAX)**

## COMMON CROWN & PROFILE OPTIONS



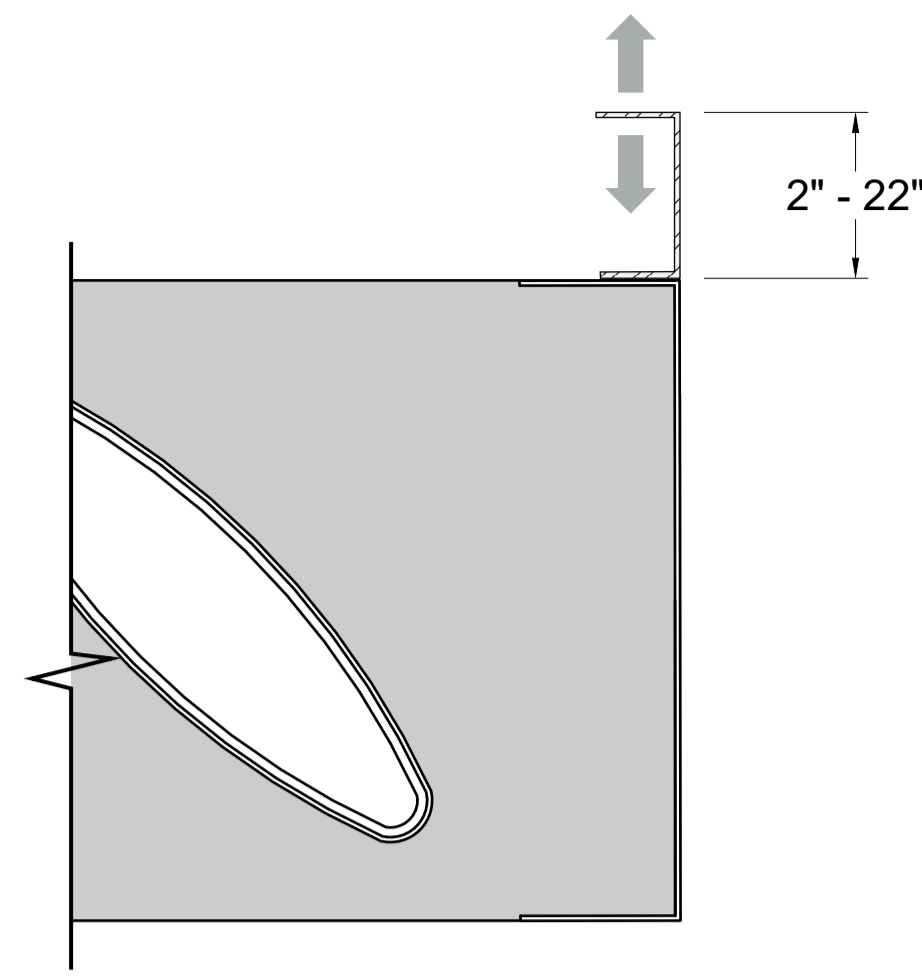
# MASA ECOSHADE INFILL SAMPLES





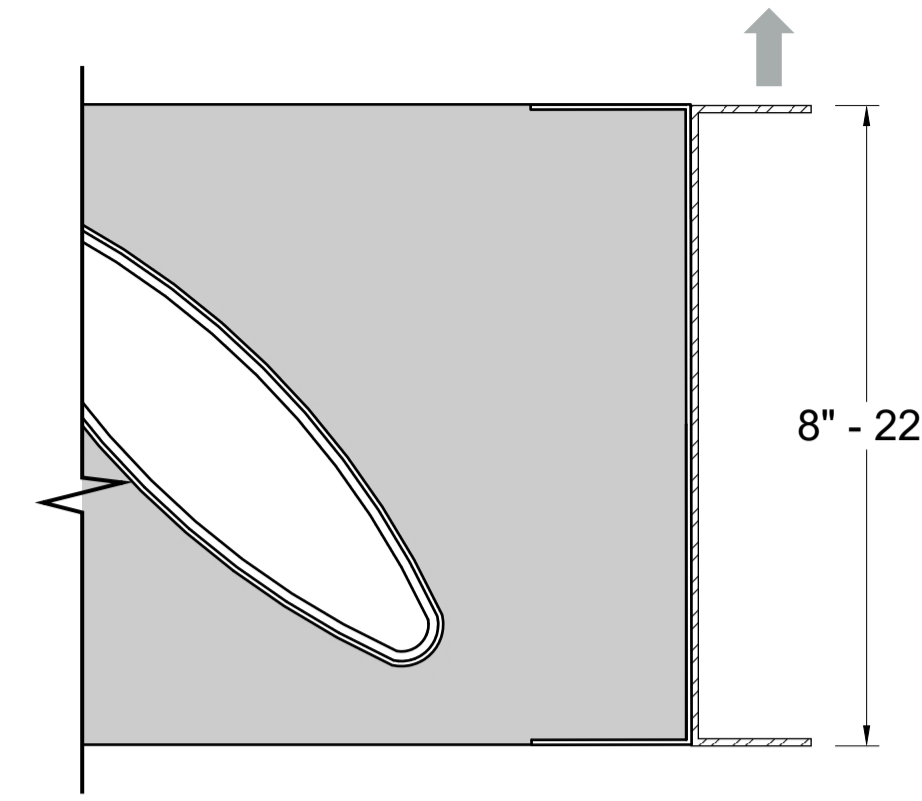
**STANDARD - NO PROFILE**

EXAMPLE MASA EXTRUDECK CUT-SECTION



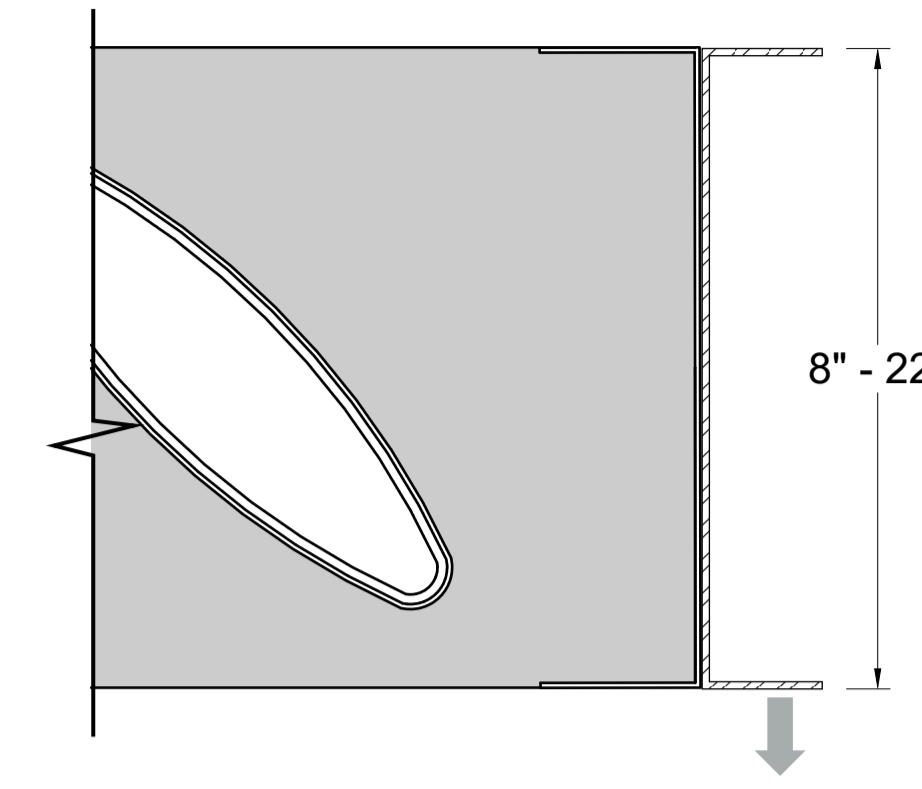
**BOX CROWN DESIGN**

EXAMPLE MASA EXTRUDECK CUT-SECTION



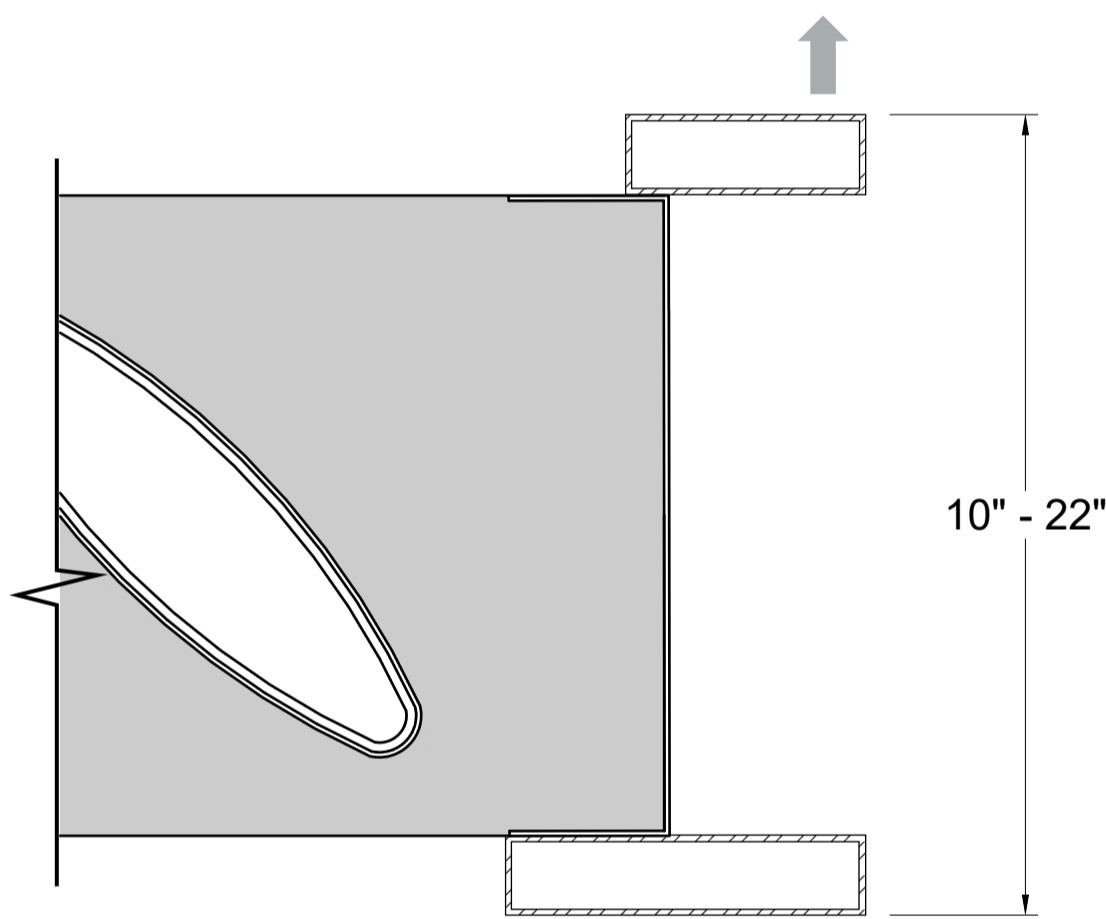
**INDUSTRIAL - LIGHT**

EXAMPLE MASA EXTRUDECK CUT-SECTION



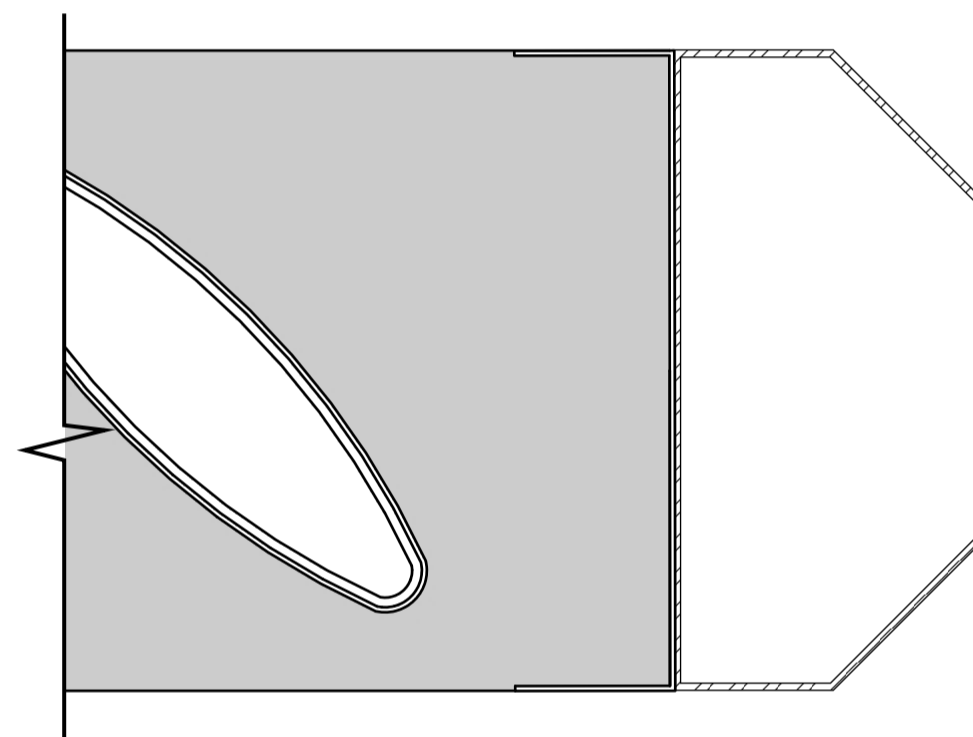
**INDUSTRIAL - LIGHT DROP**

EXAMPLE MASA EXTRUDECK CUT-SECTION



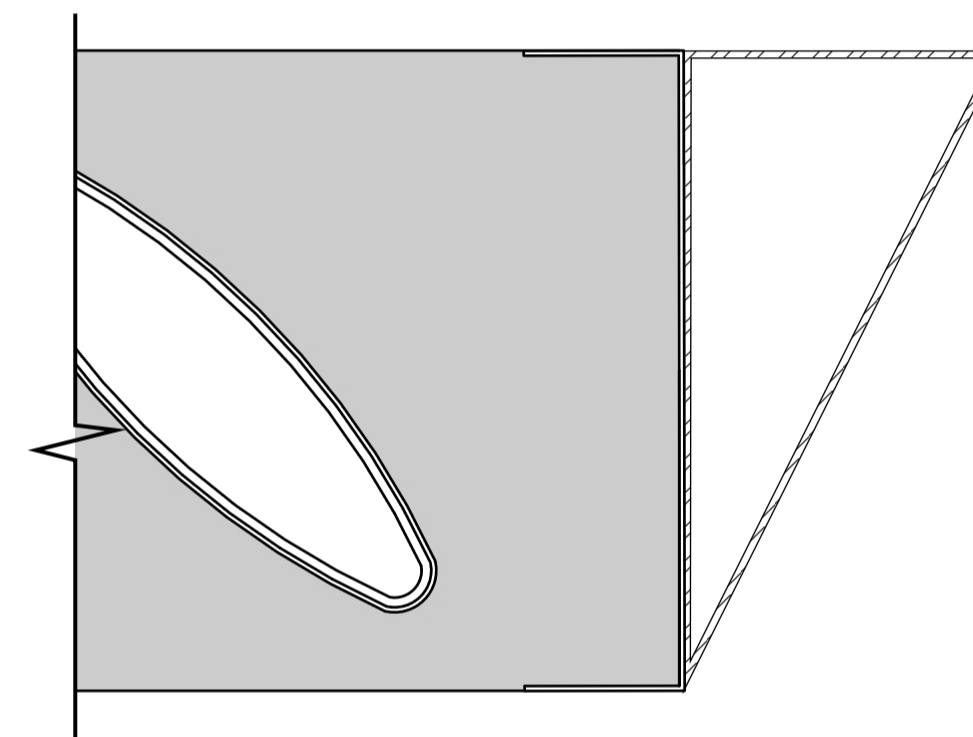
**INDUSTRIAL - HEAVY**

EXAMPLE MASA EXTRUDECK CUT-SECTION



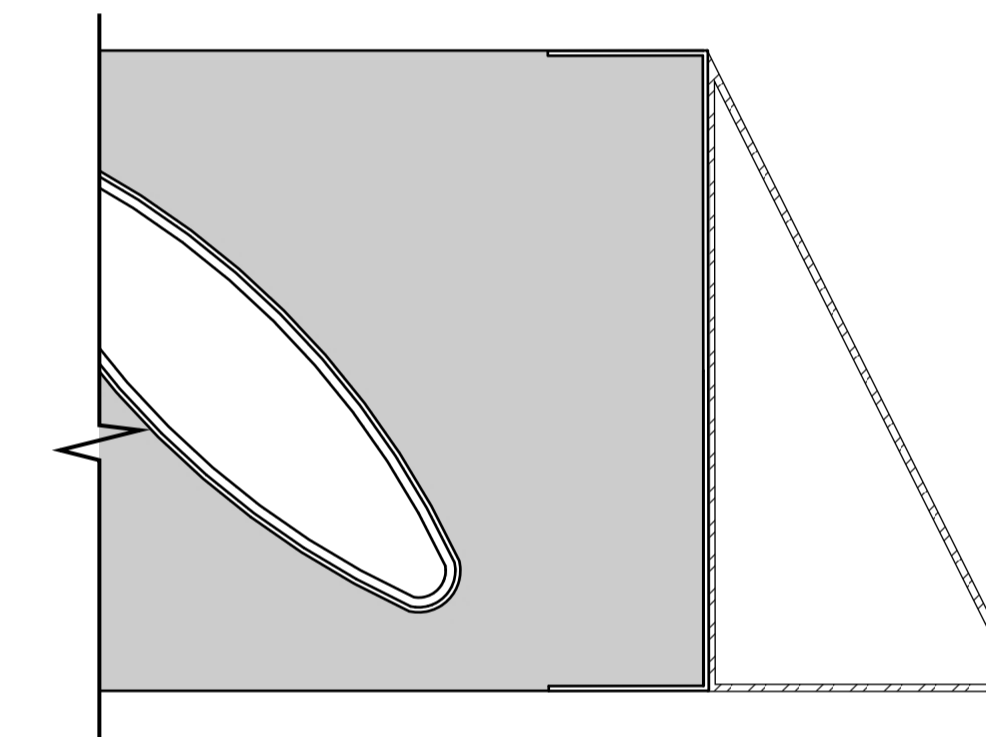
**HALF STOP**

EXAMPLE MASA EXTRUDECK CUT-SECTION



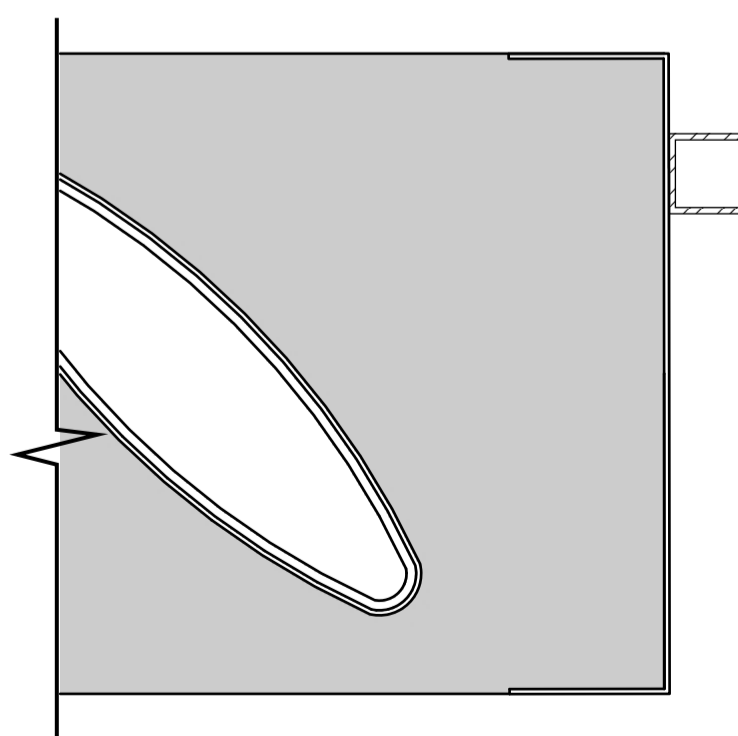
**60° UPWARD**

EXAMPLE MASA EXTRUDECK CUT-SECTION



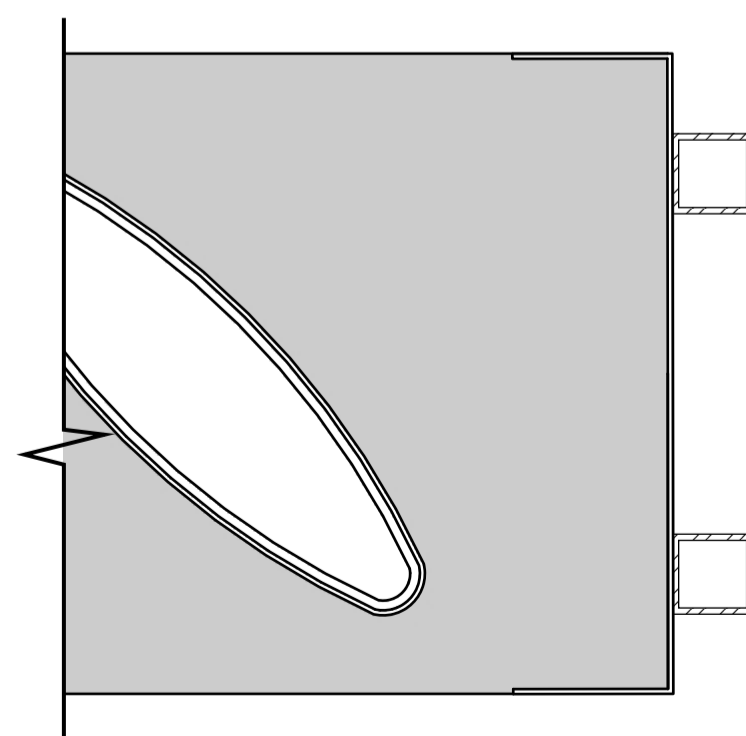
**60° DOWNWARD**

EXAMPLE MASA EXTRUDECK CUT-SECTION



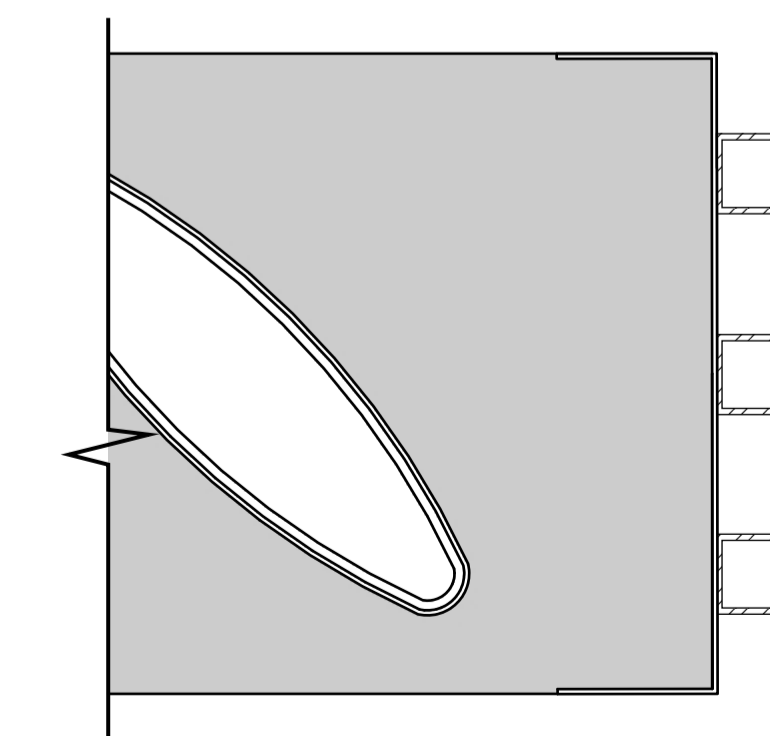
**BEAD - SINGLE**

EXAMPLE MASA EXTRUDECK CUT-SECTION



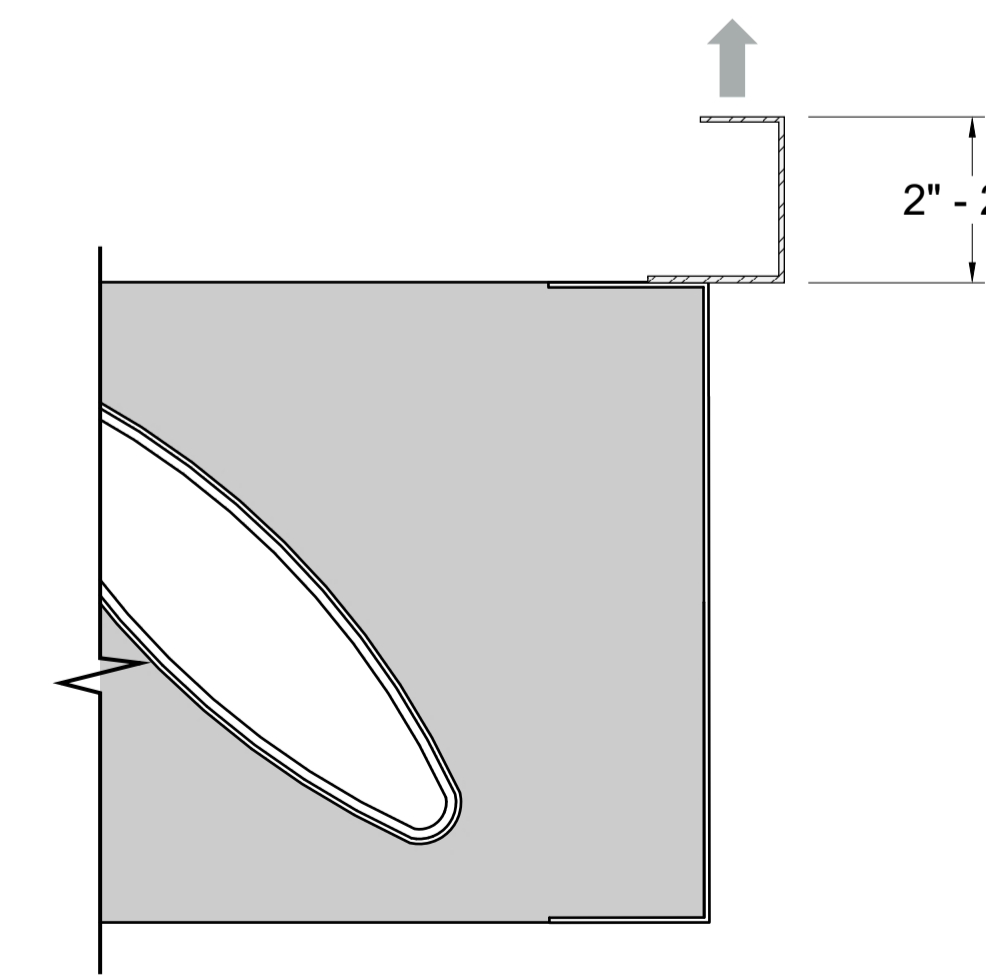
**BEAD - DOUBLE**

EXAMPLE MASA EXTRUDECK CUT-SECTION



**BEAD - TRIPLE**

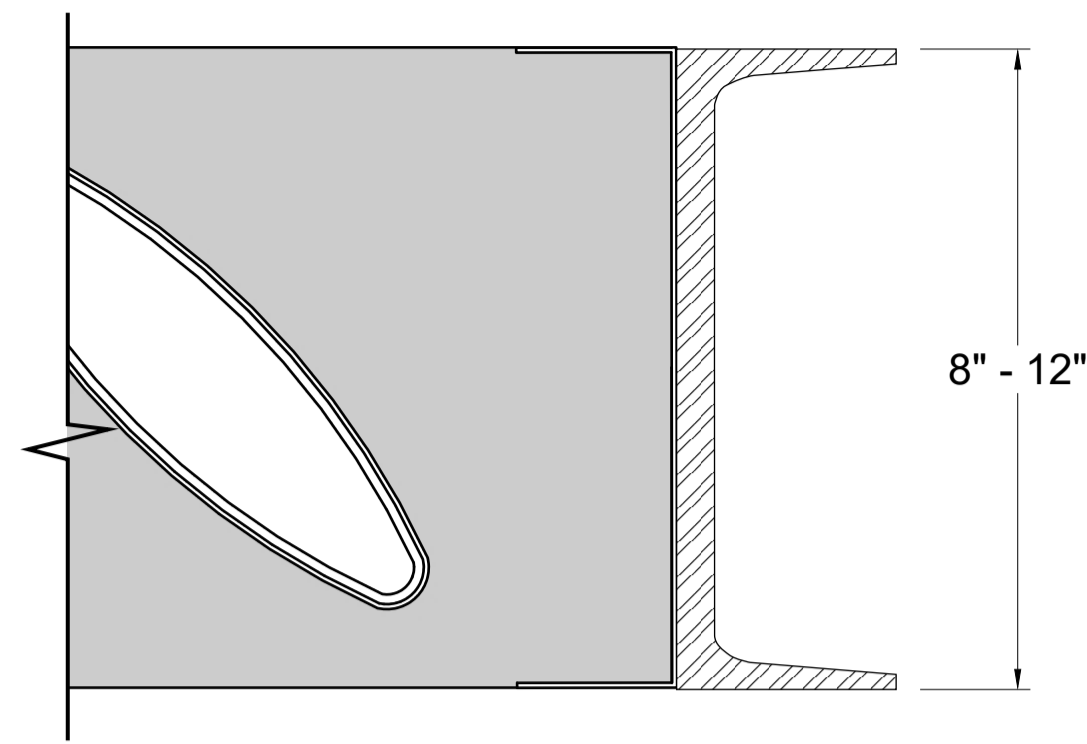
EXAMPLE MASA EXTRUDECK CUT-SECTION



**BOX CROWN PROTRUDE**

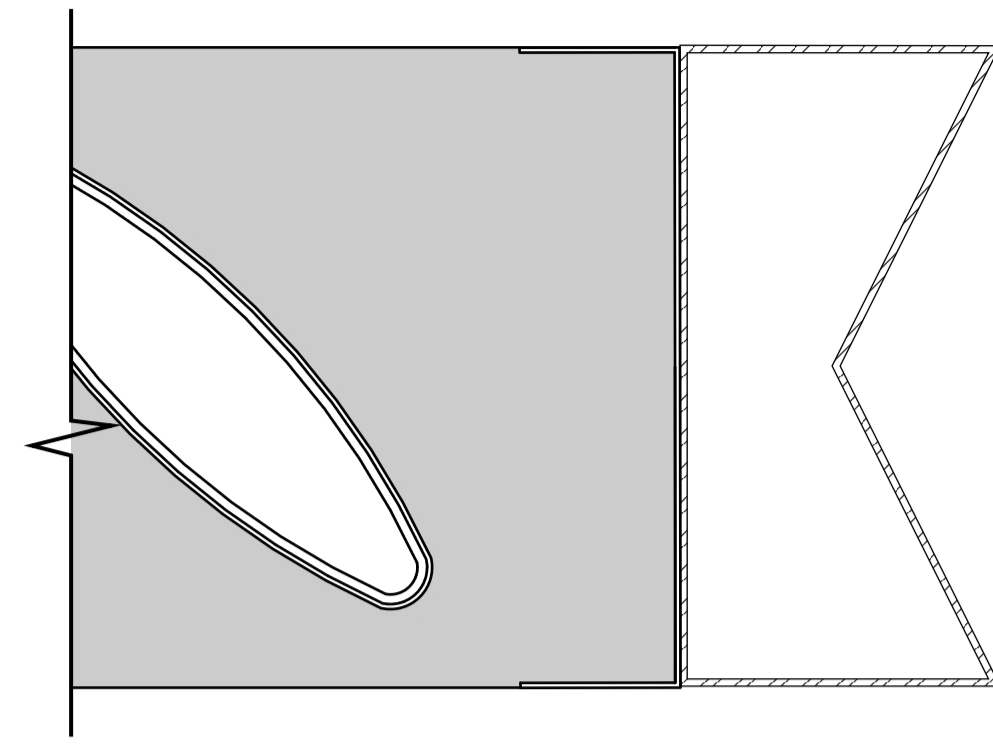
EXAMPLE MASA EXTRUDECK CUT-SECTION





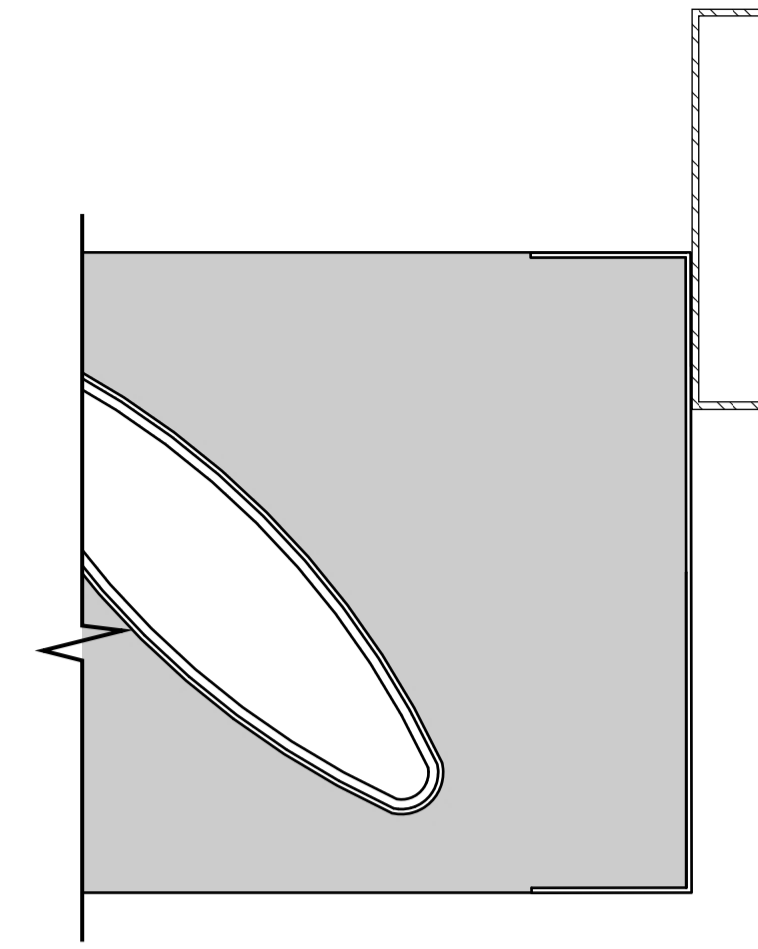
**C-CHANNEL**

EXAMPLE MASA EXTRUDECK CUT-SECTION



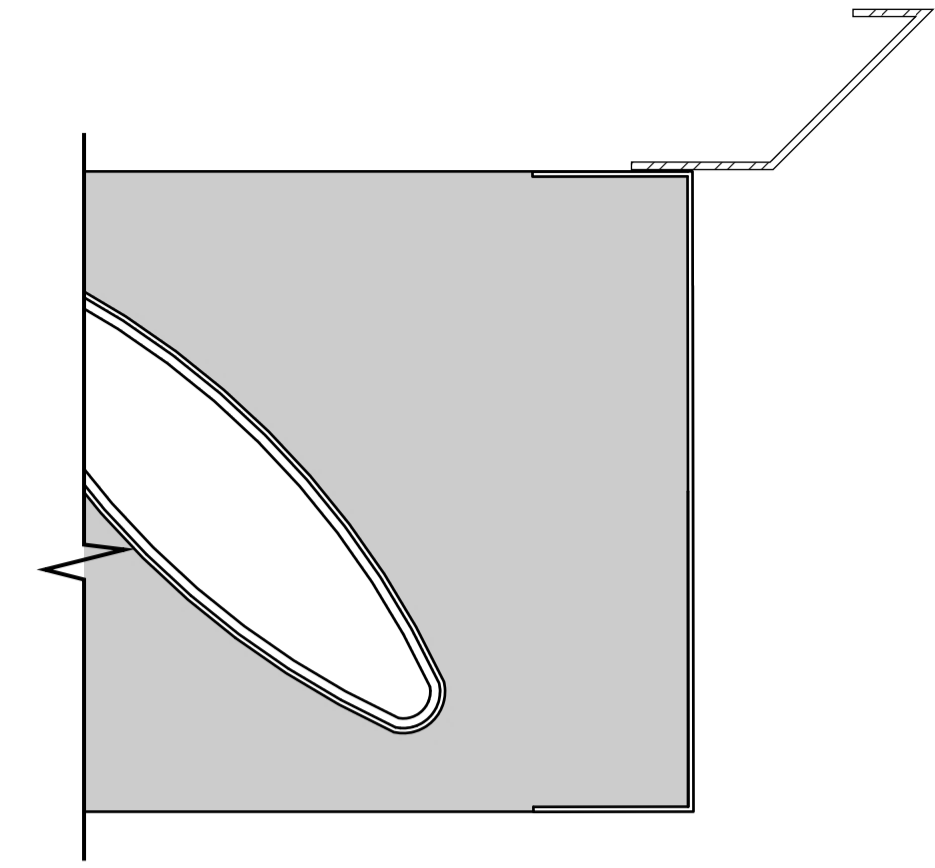
**BOW TIE**

EXAMPLE MASA EXTRUDECK CUT-SECTION



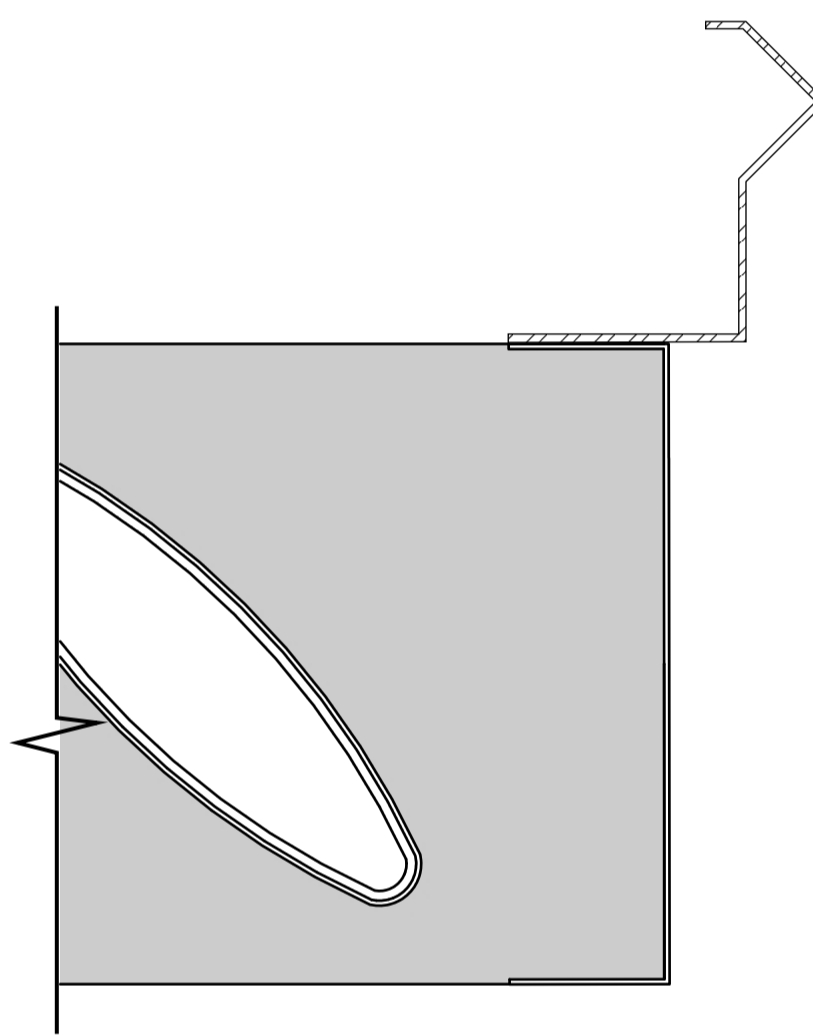
**FACE TUBE**

EXAMPLE MASA EXTRUDECK CUT-SECTION



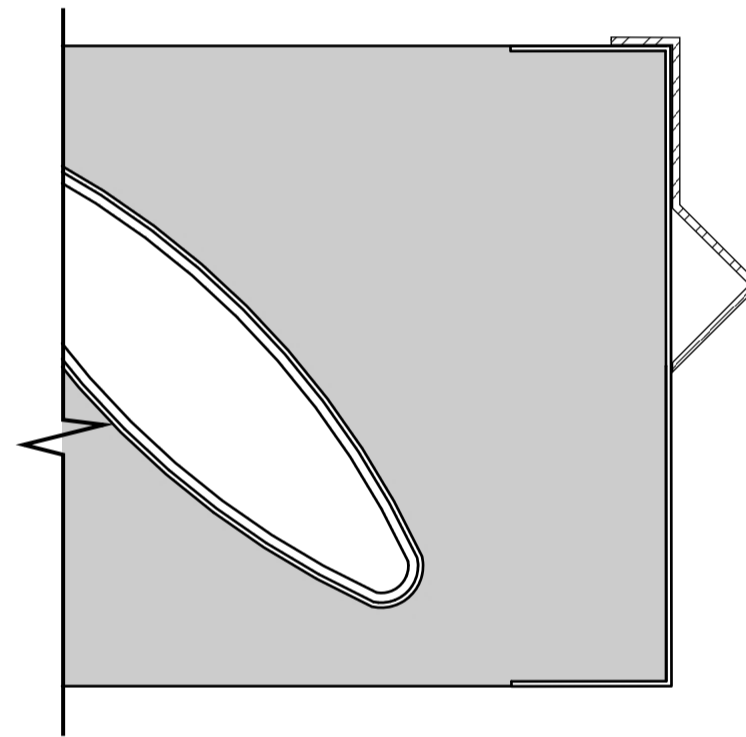
**CLASSIC**

EXAMPLE MASA EXTRUDECK CUT-SECTION



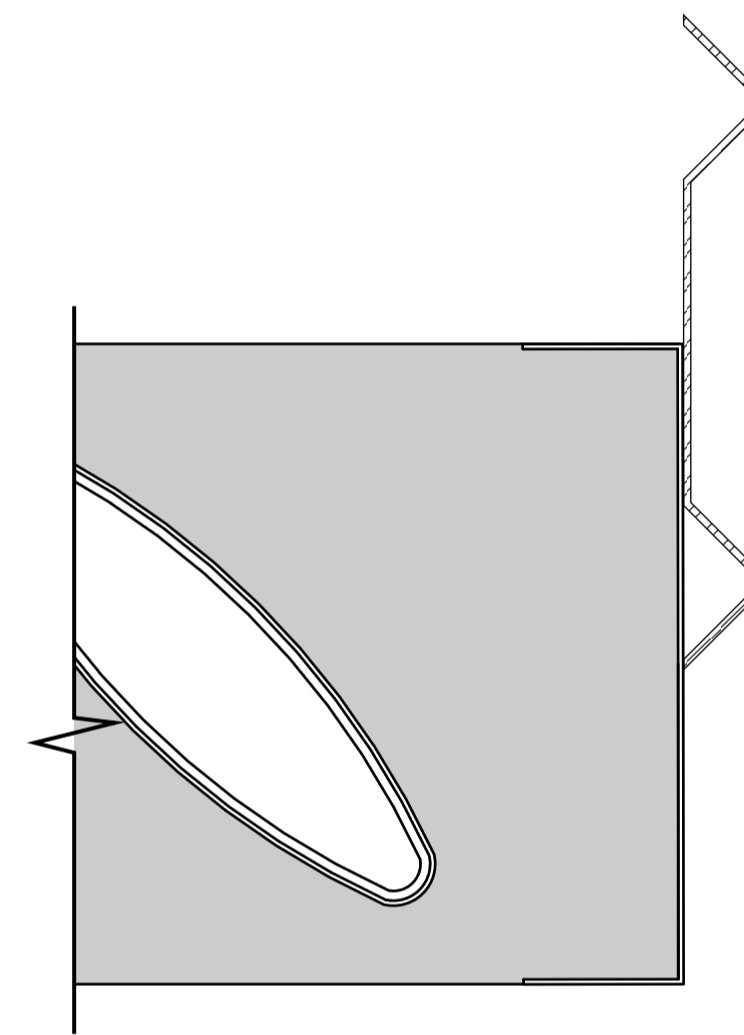
**DUCKBILL RAISED PROTRUDE**

EXAMPLE MASA EXTRUDECK CUT-SECTION



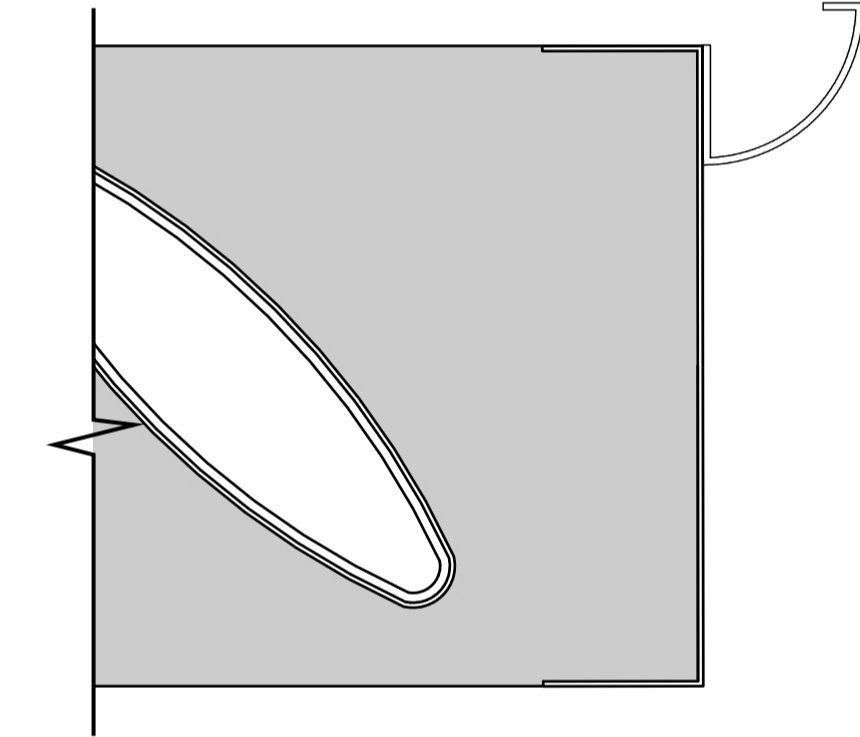
**DUCKBILL**

EXAMPLE MASA EXTRUDECK CUT-SECTION



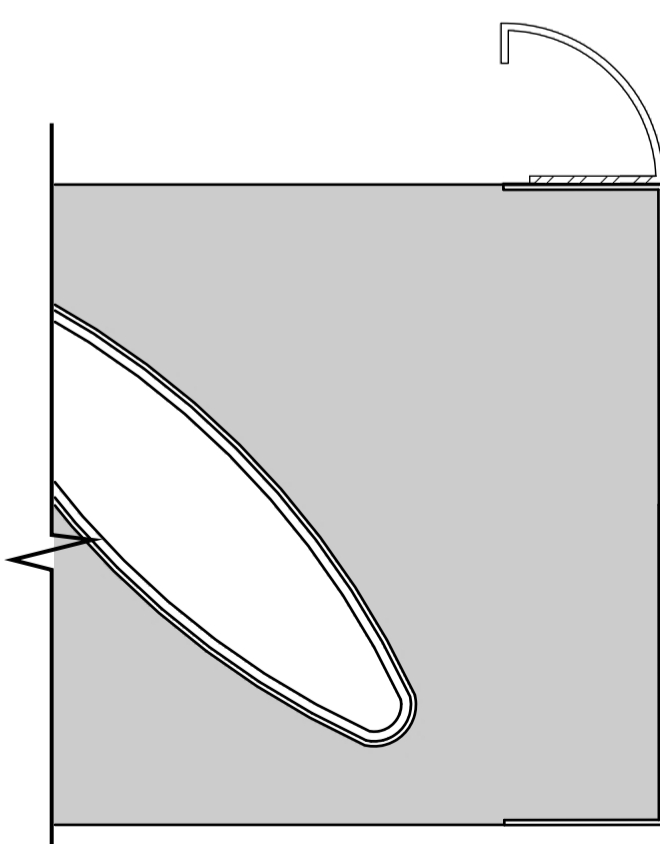
**DUCKBILL STACKED**

EXAMPLE MASA EXTRUDECK CUT-SECTION



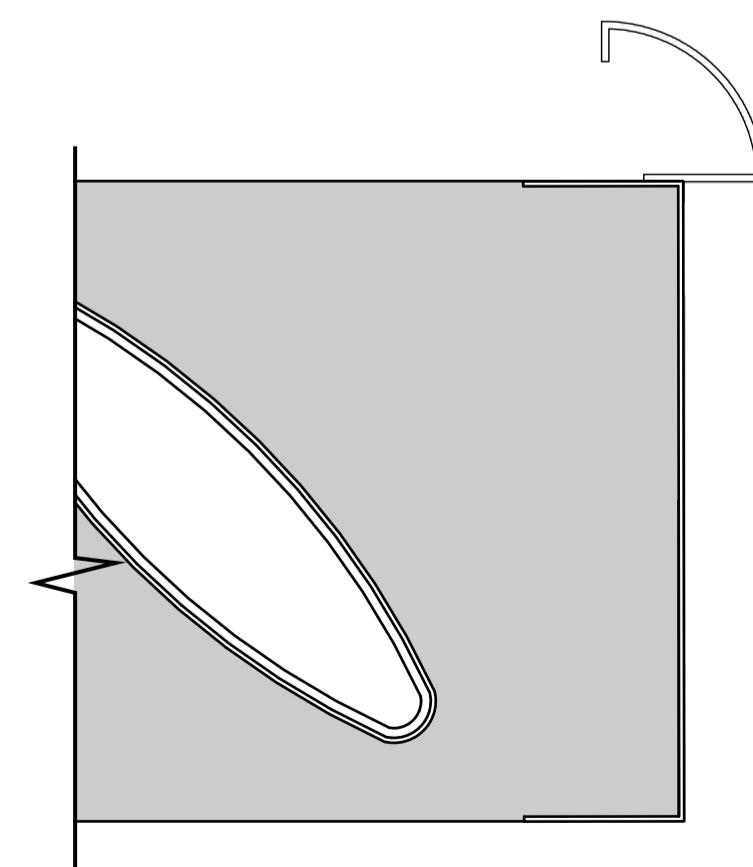
**QUARTER-ROUND STANDARD**

EXAMPLE MASA EXTRUDECK CUT-SECTION



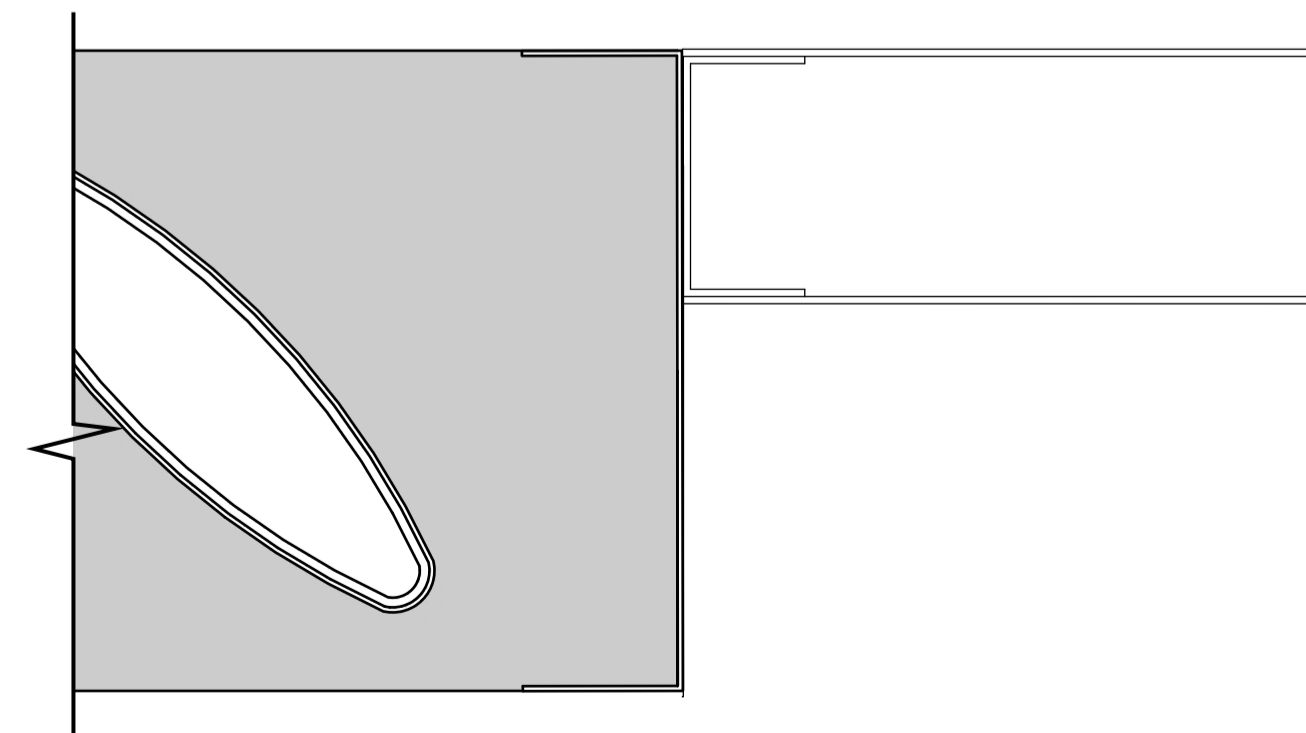
**QUARTER-ROUND INVERTED**

EXAMPLE MASA EXTRUDECK CUT-SECTION



**QUARTER-ROUND INVERTED PROTRUDED**

EXAMPLE MASA EXTRUDECK CUT-SECTION



**FRONT LIGHT BOX**

EXAMPLE MASA EXTRUDECK CUT-SECTION

